

Securitron® M380E Series Magnalock®

600 lbs holding force,
bracket mounted,
sustainable Magnalock



Intelligent, stylish and secure, with up to 80% reduction in energy consumption over the previous Securitron M380 Series.

With integrated features such as built-in smart voltage sensing, tamper sensor and an updated strike plate mounting template, the Securitron M380E joins the Securitron M680E in the family of sustainable magnalocks.

The Securitron M380EBD and M380EBDX models offer additional integrations, such as Securitron's patented BondSTAT lock sensor, Door Position Switch, built-in door prop sensing (which allows the magnet to de-energize the coil when the door is held open for extended periods), and a passive infrared request to exit (PIR REX).

Features

Standard Features

- Sustainability documentation
- Energy efficient, low power usage
- Synchronous double door release using a single Request to Exit
- Auto calibration upon installation
- Automatic dual-voltage – no field adjustment required
- LED Indicator shows the lock is secure, open, or has an incomplete bond
- Tamper Switch sends an alarm output if the cover is removed and is selectable to NO or NC
- Rust resistant – all ferrous metal surfaces plated for durability
- Adjustable automatic relock timer (0 to 30 seconds)
- Wire chamber anti-tamper switch

- Size optimized for use with door closers
- Patented BondSTAT lock sensor and integrated Door Position Switch (DPS) with relock timer
- MagnaCare® lifetime replacement, no fault, no questions asked warranty

Optional Features

- **X** Integrated passive infrared request to exit

For easy 3D instructions, download the BILT mobile app



Grade 3



MagnaCare Warranty



Auto Sensing Dual Voltage 12/24



PoE Friendly



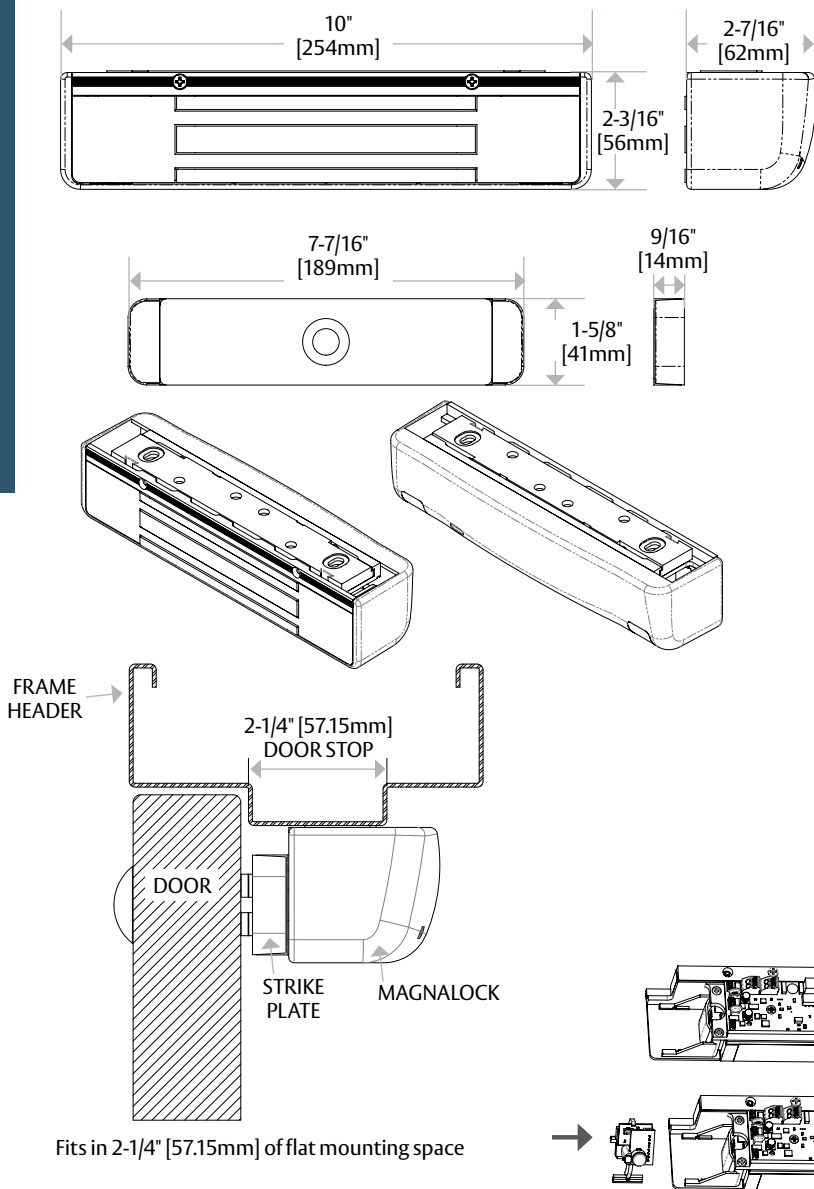
Fire Rated



Preload

Securitron M380E Series Magnalock

Dimensions



Specifications

Certifications

- UL 10C Listed
- UL 1034 Listed
- UL 294 Listed
- CAN4-S104, CAN/ULC Listed
- ANSI/BHMA A156.23, Grade 3
- CSFM—California State Fire Marshal Approved

Electrical Consumption

- **Maglock Average Power Draw (±10%)**
 - 140mA at 12VDC
 - 90mA at 24VDC
- **Maglock Maximum Power Draw (±10%)**
 - 585mA at 12VDC
 - 310mA at 24VDC
- **REX Power (±10%)**
 - Adds 25mA at 12VDC
 - Adds 10mA at 24VDC

Holding Force

- 600 lbs [272kg]

Operating Temperature

- 32° to 110°F [0° to 43°C]
- Indoor use only

Shipping Weight

- 6.5 lbs [2.94kg]

How to Order

Model Series	Accessory Options	Finish Options
M380EBD	X	– 606
M380EBD 600 lbs with BondSTAT Monitor & Door Position Switch	(blank) No Accessory Options X PIR Request to Exit	628/US28 Satin Aluminum Clear 605/US3 Bright Brass 606/US4 Satin Brass 612/US10 Satin Bronze 613E Dark Oxidized Satin Bronze 629 Bright Stainless Steel 630 Satin Stainless Steel BSP Black Suede Powder WSP* White Suede Powder

*Finish option available soon. Please contact your Sales Representative for product details, availability and pricing.