

**3900 Series**

# Manual Flush Bolts



**3913 SHOWN**



**3917 SHOWN**

Trimco's **3900 Series** Manual Flush Bolts offer products designed for use with wood or metal doors. With the only stainless steel finger in the industry, the 3900 Series Manual Flush Bolts are engineered for easy installation and long life. They are available in most architectural finishes and can be custom ordered for special applications. Custom rod lengths are also available.

## APPLICATIONS

- Offices
- Hospitality
- Multi-Family & Mixed Use
- Commercial & Industrial Buildings

## FLUSH BOLTS

### PRODUCT FEATURES

- Body is manufactured from high density extrusion for greater durability
- Stainless steel finger for high reliability and long life
- Patented design for long life and easy installation
- Positive spring action completely locks or unlocks throw

### SPECIFICATIONS

#### DOORS

Metal or Wood

#### WARRANTY

Lifetime Mechanical & Limited Finish Warranty

#### STANDARDS

UL Rated - 1-1/2hr for Wood Doors, 3hr for Metal Doors  
BHMA L04081/L04251

#### NOTES

Patent #4,315,647

#### MATERIAL OPTIONS

**BR** – Brass  
**BZ** – Bronze

#### FUNCTIONS

- 3913** Manual Flush Bolt for Wood Door (UL)
  - W3913** Wrought Manual Flush Bolt for Wood Door (UL)
  - 3915** Manual Flush Bolt for Metal Door (UL)
  - 3916** Manual Flush Bolt for Tall Wood Door
  - 3917** Manual Flush Bolt for Metal Door (UL)
  - W3917** Wrought Manual Flush Bolt for Metal Door (UL)
  - 3917ET** Extended Throw Manual Flush Bolt for Metal Door
- Larger bolthead and longer rod lengths available.

### FINISHES

- 605** Polished Brass
- 606** Satin Brass, Dull
- 612** Satin Bronze
- 613** Oil Rubbed Bronze
- 625** Bright Chrome
- 626** Dull Chrome
- SPEC** Special Options Available

**3900 Series**

# Manual Flush Bolts

## HOW TO SPECIFY & ORDER

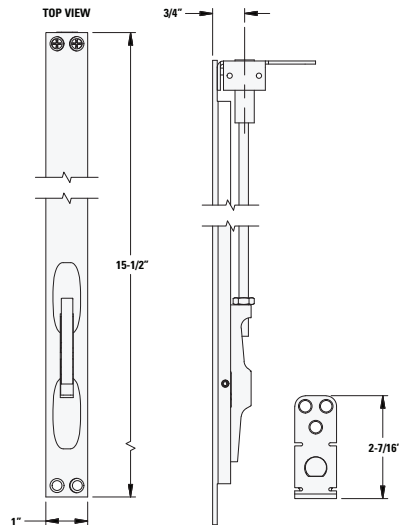
### CHOOSE THE FOLLOWING

SERIES	ROD LENGTH	FINISHES
<ul style="list-style-type: none"> <li>• <b>3913</b> Manual Flush Bolt for Wood Door (UL)</li> <li>• <b>W3913</b> Wrought Manual Flush Bolt for Wood Door (UL)</li> <li>• <b>3915</b> Manual Flush Bolt for Metal Door (UL)</li> <li>• <b>3916</b> Manual Flush Bolt for Tall Wood Door</li> <li>• <b>3917</b> Manual Flush Bolt for Metal Door (UL)</li> <li>• <b>W3917</b> Wrought Manual Flush Bolt for Metal Door (UL)</li> <li>• <b>3917ET</b> Extended Throw Manual Flush Bolt for Metal Door</li> </ul> <p>Larger bolthead and longer rod lengths available.</p>	<p>If Applicable (Metal Doors Only)</p> <ul style="list-style-type: none"> <li>• 12"</li> <li>• 24"</li> <li>• 36"</li> <li>• Or Specify Length</li> </ul>	<ul style="list-style-type: none"> <li><b>605</b> Polished Brass</li> <li><b>606</b> Satin Brass, Dull</li> <li><b>612</b> Satin Bronze</li> <li><b>613</b> Oil Rubbed Bronze</li> <li><b>625</b> Bright Chrome</li> <li><b>626</b> Dull Chrome</li> </ul> <p><b>SPEC</b> Special Options Available</p>

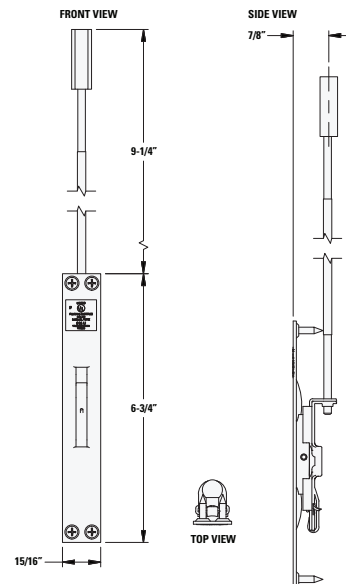
### EXAMPLE

For a UL rated, Manual Flush Bolt on a steel door in dull chrome finish with a 12" rod, specify or order: **3917-12.626**

**3916 SHOWN**



**3917 SHOWN**



\* Dimensions are informational only. Templates are available at [www.trimcobbw.com](http://www.trimcobbw.com)