

RIXSON®
ASSA ABLOY

Experience a safer
and more open world



CHECKMATE® STOPS & HOLDERS

Absolute Door Control and Entire
Opening Protection

Copyright © 2001-2020, ASSA ABLOY Accessories and Door Controls Group, Inc.
All rights reserved. Reproduction in whole or in part without the express written
permission of ASSA ABLOY Accessories and Door Controls Group, Inc. is prohibited.

INTRODUCTION



Checkmate® overhead stops and holders are used to extend the life of the door, frame and any door closing devices. They are ideal for installations prone to strong winds, high traffic or abuse, and when used with a floor closer, they provide absolute control at the top and bottom of the door.

Offered in a variety of architectural finishes for surface and concealed mounting, models are available to fit many different door widths.

Model	Concealed	Surface	Low Profile	Adjustable
1 Heavy-Duty Concealed	•			
1ADJ Heavy-Duty Concealed Adjustable	•			•
2 Standard-Duty Concealed Adjustable	•			•
5 Standard-Duty Concealed	•			
6 Low Profile Concealed	•		•	
6ADJ Low Profile Concealed Adjustable	•		•	•
7 Surface Cantilever Holder		•		
8HD Extra Heavy-Duty Double Lever		•		
9 Heavy-Duty Surface		•		
9ADJ Heavy-Duty Surface Adjustable		•		•
10 Standard-Duty Surface Adjustable		•		•
55 Standard-Duty Surface		•		

TABLE OF CONTENTS

General Information.....3

How to Select Product4

Specifications5

1 Heavy-Duty Concealed6

1ADJ Heavy-Duty Concealed Adjustable7

2 Standard-Duty Concealed Adjustable.....8

5 Standard-Duty Concealed9

6 Low Profile Concealed10

6ADJ Low Profile Concealed Adjustable.....11

7 Surface Cantilever Holder12

8HD Extra Heavy-Duty Double Lever.....13

9 Heavy-Duty Surface14

9ADJ Heavy-Duty Surface Adjustable15

10 Standard-Duty Surface Adjustable.....16

55 Standard-Duty Surface17

Parts Drawings18

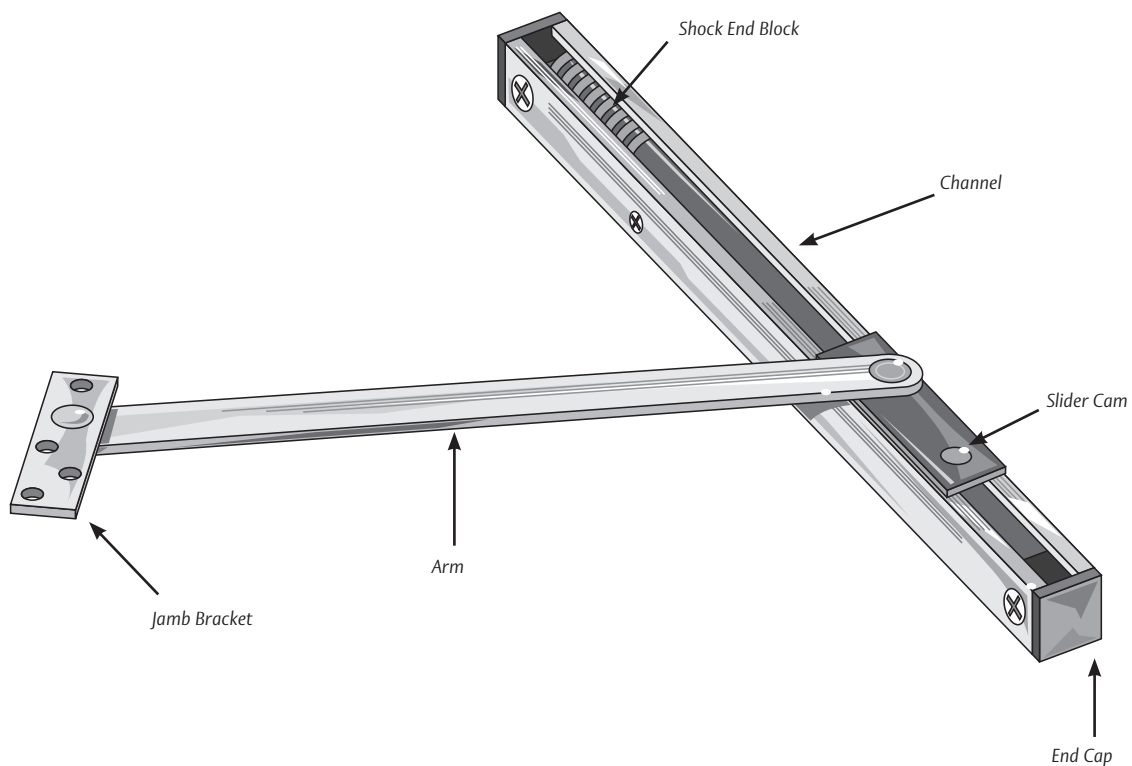
How to Order19



Experience a safer
and more open world

Checkmate® overhead stops and holders are used to extend the life of the door, frame and any door closing devices. They may be necessary if there are strong winds, high traffic or abuse.

- When used in conjunction with a floor closer, you have absolute door control, top and bottom
- Provides positive deadstop at selected degree
- There are three functions, four ways to order:
 - Friction Stay – used on doors without closers to keep doors open
 - Hold Open – door remains held open near deadstop location
 - Stops – door deadstops at a particular degree of opening
 - Multi Function – adaptable as hold open and/or stops
- Available for surface or concealed mounting
- Standard mount on push side of door (see model descriptions for pull side installations)
- Thru bolts are furnished with all surface models and must be used for installation



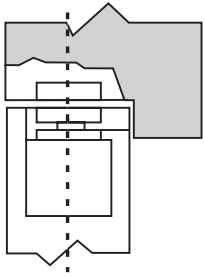
SPECIFICATIONS

- All overhead stops and holders shall be from a single manufacturer.
- Standard-duty models used for interior or low to moderate traffic doors.
- Heavy-duty models used for exterior or high traffic doors or doors subject to abuse.
- For extremely abusive areas or high winds use double lever arm type.
- Coordinate deadstop and/or hold open location with concealed floor closers.
- Checkmate products provide hold open and/or deadstop.

RIXSON®
ASSA ABLOY

Experience a safer
and more open world

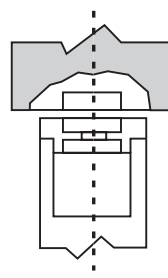
CONCEALED MOUNTING



Method A – Standard Installation, Single Acting Nos. 1, 1ADJ, 2, 5, 6, 6ADJ Series

For single acting doors, the jamb bracket is mortised into the frame and the channel mortised into the top of the door. Both the bracket and channel are secured with wood or machine screws.

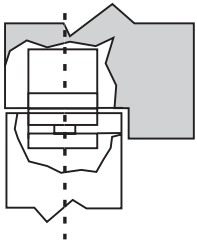
A cutout for the arm is required on the stop side of the door only. A hole must be drilled for the control knob of the No. 1 Series holder only.



Method B – Standard Installation, Double Acting Nos. 1, 1ADJ, 2, 5, 6, 6ADJ Series

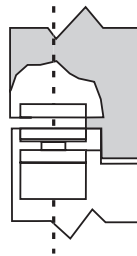
For double acting center hung floor closer or pivot applications.

Mounting is similar to Method A, with the exception that the cutout for the arm is required on both sides of the door.



Method C - Inverted Installation, Single Acting Nos. 2, 5 Series

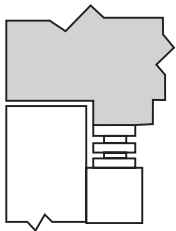
Recommended for doors with minimum top rail depth. The arm and jamb bracket are mortised into the door, and the channel is installed in the header with wood or machine screws. The cutout for the arm is required on the stop side of the door only.



Method D - Rabbeted Door Installation, Single Acting No. 2, 5 Series

This method is designed for 1-3/4" doors with 1/2" maximum rabbet. The jamb bracket is mortised into the header and the arm and channel are mortised into the door. Wood or machine screws are used for fastening. The cutout for the arm is required on the stop side of the door only.

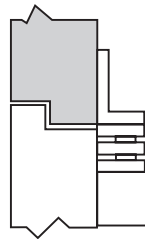
SURFACE MOUNTING



Method No. 1 – Standard Installation (Push side of door)

Nos. 8HD, 9, 9ADJ, 10, 55 Series

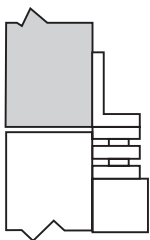
The jamb bracket mounts on the soffit with wood or machine screws. The channel mounts to the door with sex bolts.



Method No. 2 – Rabbeted Door Installation (Push side of door)

Nos. 8HD, 9, 9ADJ, 10, 55 Series

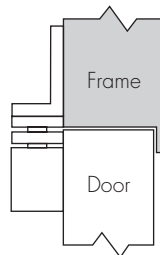
A special angle jamb bracket adapter mounts on the header with wood or machine screws. The jamb bracket attaches to the adapter with machine screws. The channel fastens to the door with sex bolts. **(Same bracket as used with Method 3 and 5. See catalog for bracket number for each model.)**



Method No. 3 - Flush Door Installation (Push side of door)

Nos. 8HD, 9, 9ADJ, 10, 55 Series

This method of installation is identical to Method No. 2 for Rabbeted Doors. **(Same bracket as used with Method 2 and 5. See catalog for bracket number for each model.)**

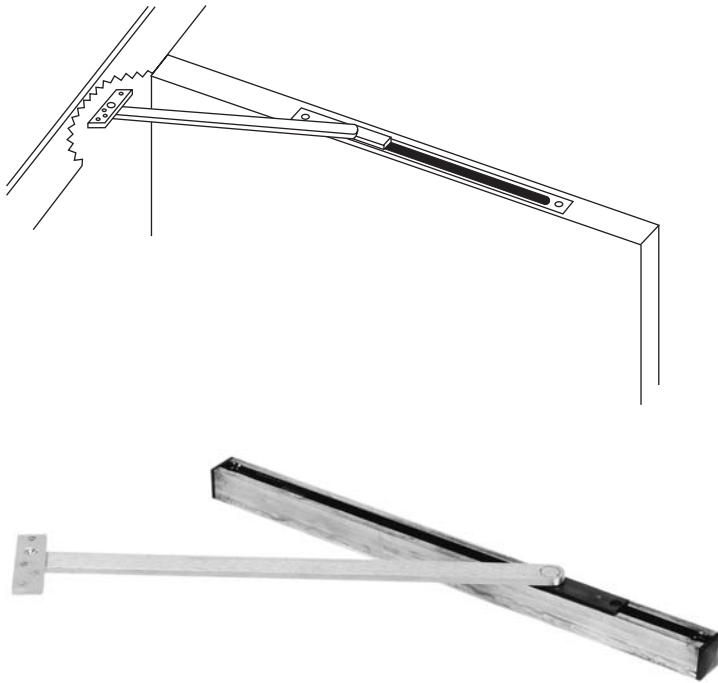


Method No. 5 - Reverse Installation (Pull side of door)

Nos. 9, 9ADJ, 10 and 55 Series

The jamb bracket adapter is secured to the header with wood or machine screws. The jamb bracket fastens to the adapter with machine screws and the channel mounts on the door with sex bolts. **(Same bracket as used with Method 2 and 3. See catalog for bracket number.)**

RIXSON®
ASSA ABLOY



Application

- Interior or exterior doors
- Single or double acting
- Non-handed
- Recommended for high traffic, heavy abuse installations

Features

- Heavy-duty
- Slide track design
- Stop, friction stay or hold open functions
- 1-3/4" minimum door thickness. For thicker doors, specify when ordering
- 110° maximum opening
- Heavy shock absorber spring provides 5-7° compression before dead stop
- LS option omits spring for special applications
- Durable slider cam and shock block
- Surface on/off knob on hold open models
- 1-3/16" square channel
- Complete screw packet for installation in wood and machine screws for door and frame.
- For security areas, Torx® screws available for exposed fasteners
- Hanging means other than standard butts or offset pivots require special templating and pricing. Consult factory
- Standard architectural finishes

Compliance

- ANSI/BHMA A156.8, Grade 1 Certified (Hold Open, Stop Models)
- Stop function UL listed for fire door assemblies

DOOR OPENING CHART (IN INCHES)

Butts Offset Pivots	Center Hung Pivots	Model Number		
		Friction	H.O.	Stop
*24 - 28	—	1-116	1-126	1-136
28-1/16 - 33	30 - 36	1-216	1-226	1-236
33-1/16 - 38	36-1/16 - 41	1-316	1-326	1-336
38-1/16 - 43	41-1/16 - 46	1-416	1-426	1-436
43-1/16 - 48	46-1/16 - 50	1-516	1-526	1-536

*Butt hung only on this size door. No swing clear hinges.



Experience a safer and more open world

Application

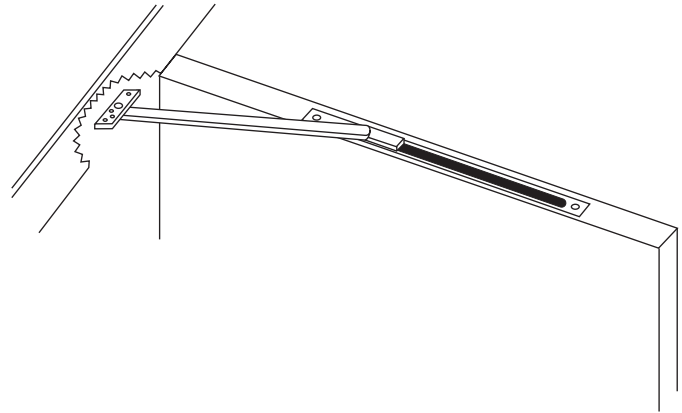
- Interior or exterior doors
- Single or double acting
- Non-handed
- Recommended for high traffic, heavy abuse situations

Features

- Heavy-duty, adjustable
- Slide track design
- Order specifically as a stop or hold open
- 1-3/4" minimum door thickness, for thicker doors consult factory
- 110° maximum opening (except 1ADJ for center hung 30-36" door which is 105°)
- Degree of opening is fully adjustable and can be adapted to changing needs
- Heavy shock absorber spring provides 5-7° compression before dead stop
- 1-3/16" square channel
- Complete screw packet kit for installation in wood or metal door and frame
- For security areas, Torx® screws available for exposed fasteners
- Durable slider cam and shock block
- Hanging means other than standard butts or offset pivots require special templating and pricing. Consult factory.
- Standard architectural finishes

Compliance

- ANSI/BHMA A156.8, Grade 1 Certified
- Stop function UL listed for fire door assemblies



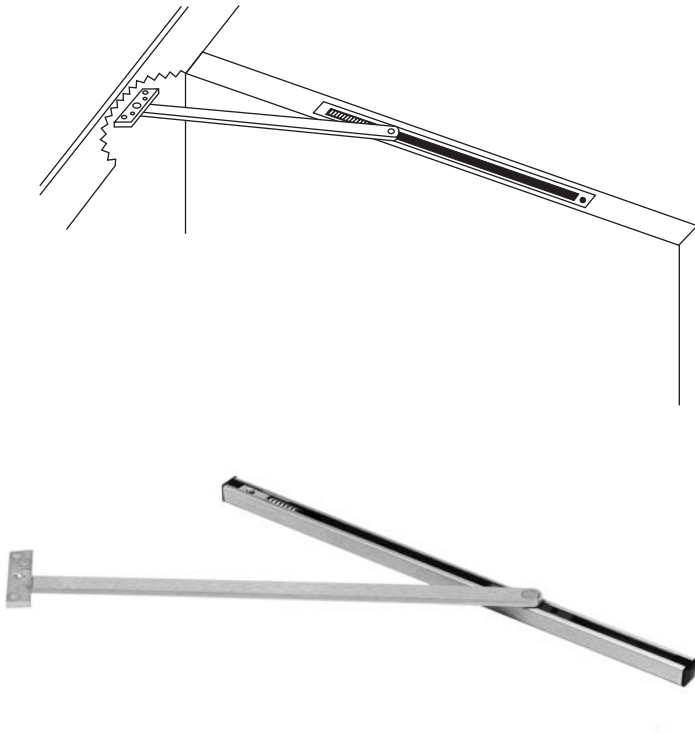
DOOR OPENING CHART (IN INCHES)

Butts Offset Pivots	Center Hung Pivots	Model Number	
		H.O.	Stop
*24 - 28	—	1ADJ-126	1ADJ-136
28-1/16 - 33	30 - 36	1ADJ-226	1ADJ-236
33-1/16 - 38	36-1/16 - 41	1ADJ-326	1ADJ-336
38-1/16 - 43	41-1/16 - 46	1ADJ-426	1ADJ-436
43-1/16 - 48	46-1/16 - 50	1ADJ-526	1ADJ-536

**Butt hung only on this size door. No swing clear hinges.*



Experience a safer
 and more open world



Application

- Interior doors
- Doors may be single or double acting
- Non-handed
- Recommended for moderate traffic, medium weight doors

Features

- Standard duty, adjustable
- Slide track design
- Degree of opening is fully adjustable and can be adapted to changing needs
- Heavy shock absorber spring provides 5-7° compression before dead stop
- Can be ordered specifically as a stop, friction stay, or hold open
- Multi-function unit is shipped as a stop. Can be converted to a hold open or friction in the field. 5012-PKG (Adapter kit) included
- Complete screw packet kit for installation in wood or metal door and frame
- For security areas, Torx® screws available for exposed fasteners, but heavy-duty units should be considered for high security applications
- Standard architectural finishes
- Durable slider cam and shock block
- 110° maximum opening
- 3/4" square channel
- Hanging means other than standard butts or offset pivots require special templating and pricing. Consult factory.

Compliance

- ANSI/BHMA A156.8, Grade 1 Certified (Stop Models)
- Stop function UL listed for fire door assemblies

DOOR OPENING CHART (IN INCHES)

Butts Offset Pivots	Center Hung Pivots	Model Number			
		Friction	H.O.	Stop	Multi
*18 - 24	—	2-116	2-126	2-136	2-146
24-1/16 - 30	27 - 32	2-216	2-226	2-236	2-246
30-1/16 - 36	32-1/16 - 38-1/2	2-316	2-326	2-336	2-346
36-1/16 - 42	38-9/16 - 45	2-416	2-426	2-436	2-446
42-1/16 - 48	45-1/16 - 48	2-516	2-526	2-536	2-546

*Butt hung only on this size door. No swing clear hinges.



Experience a safer
and more open world

Application

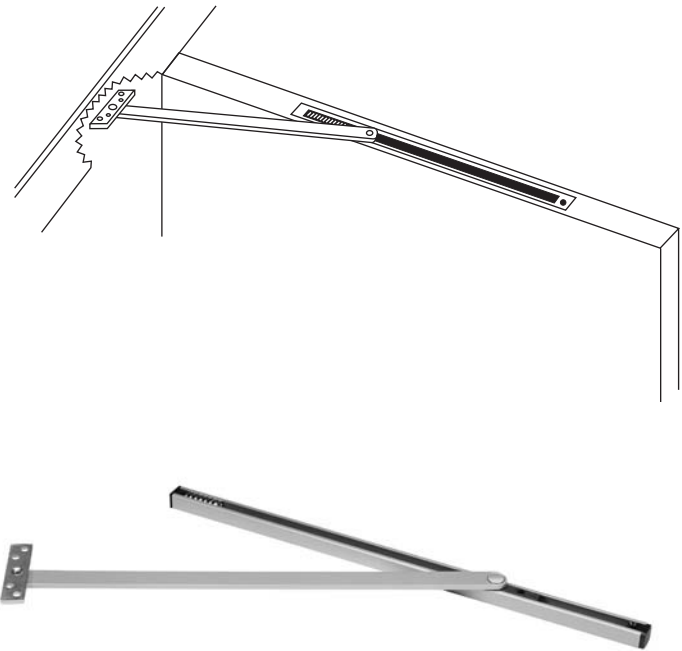
- Interior doors
- Doors may be single or double acting
- Non-handed
- Recommended for moderate traffic, medium weight interior doors

Features

- Standard duty
- Slide track design
- Degree of opening determined by templating – not field adjustable.
- Heavy shock absorber spring provides 5-7° compression before dead stop
- Complete screw packet allows for installation in wood or metal door and frame
- For security areas, Torx® screws available for exposed fasteners, but heavy-duty units should be considered for high security applications
- Available in 652 and sprayed finishes only
- Durable slider cam and shock block
- 110° maximum opening
- 3/4" square channel
- Hanging means other than standard butts or offset pivots require special templating and pricing. Consult factory.

Compliance

- ANSI/BHMA A156.8, Grade 1 Certified (Stop Models)
- Stop function UL listed for fire door assemblies



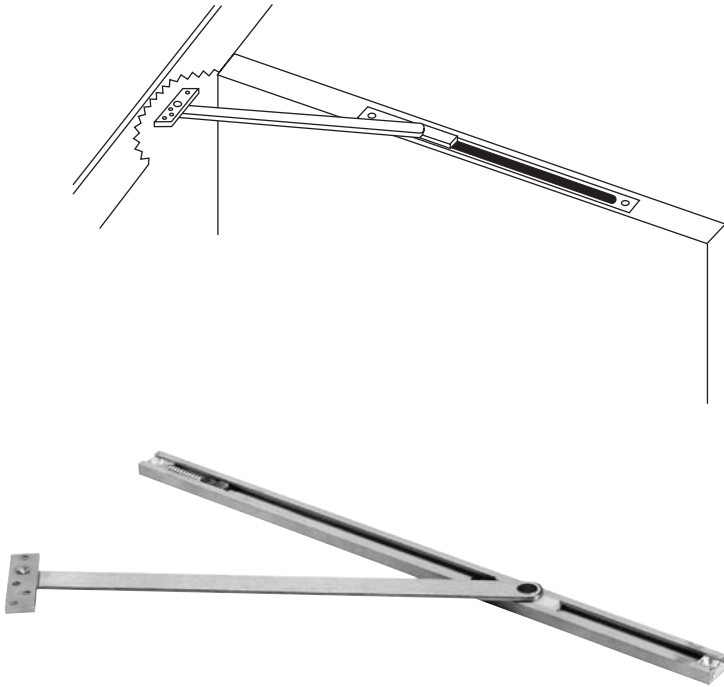
DOOR OPENING CHART (IN INCHES)

Butts Offset Pivots	Center Hung Pivots	Model Number	
		H.O.	Stop
*18 - 24	—	5-126	5-136
24-1/16 - 30	27-32	5-226	5-236
30-1/16 - 36	32-1/16 - 38-1/2	5-326	5-336
36-1/16 - 42	38-9/16 - 45	5-426	5-436
42-1/16 - 48	45-1/16 - 48	5-526	5-536

*Butt hung only on this size door. No swing clear hinges.



Experience a safer
and more open world



Application

- Interior or exterior doors
- Doors may be single or double acting
- Non-handed
- Recommended for moderate traffic, medium weight doors

Features

- Low profile
- Low profile concealed channel designed for installation in aluminum storefront doors
- Heavy shock absorber spring provides 5-7° compression before dead stop
- Complete screw kit allows for installation in wood or metal door and frame
- For security areas, Torx® screws optional
- Standard architectural finishes
- Durable slider cam
- 110° maximum opening
- 1-3/4" minimum door thickness
- Channel is 1-1/4" wide by 1/2" deep
- Hanging means other than standard butts or offset pivots require special templating and pricing. Consult factory
- Available in stop function only

Compliance

- ANSI/BHMA A156.8, Grade 1 Certified
- UL listed for fire door assemblies

DOOR OPENING CHART (IN INCHES)

Butts Offset Pivots	Center Hung Pivots	Model Number
Door Opening		Stop
*24 - 28	—	6-136
28-1/16 - 33	30 - 36	6-236
33-1/16 - 38	36-1/16 - 41	6-336
38-1/16 - 43	41-1/16 - 46	6-436
43-1/16 - 48	46-1/16 - 50	6-536

*Butt hung only on this size door. No swing clear hinges.



Experience a safer
and more open world

Application

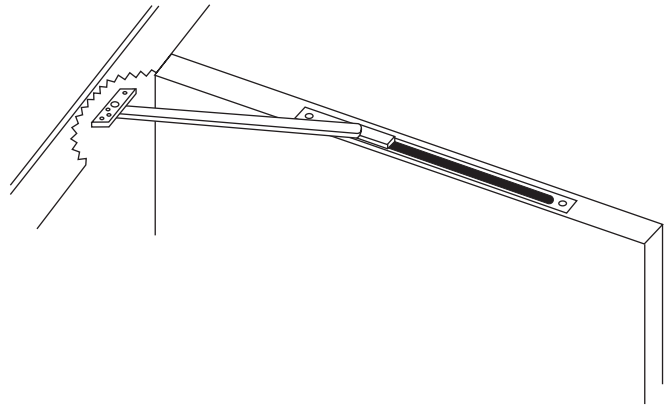
- Interior or exterior doors
- Doors may be single or double acting
- Non-handed
- Recommended for moderate traffic, medium weight doors

Features

- Low profile, adjustable
- Low profile concealed channel design for installation in aluminum doors
- Heavy shock absorber spring provides 5-7° compression before dead stop
- Degree of opening is fully adjustable and can be adapted to changing needs
- Complete screw packet for installation in wood or metal door and frame
- For security areas, Torx® screws available for exposed fasteners
- Standard architectural finishes
- Durable slider cam and shock block
- 110° maximum opening (except 6ADJ for center hung 30-36" door which is 105°)
- 1-3/4" minimum door thickness, for thicker doors consult factory
- Channel is 1-1/4" wide x 1/2" deep
- Hanging means other than standard butts or offset pivots require special templating and pricing. Consult factory.
- Available in stop function only

Compliance

- ANSI/BHMA A156.8, Grade 1 Certified
- UL listed for fire door assemblies



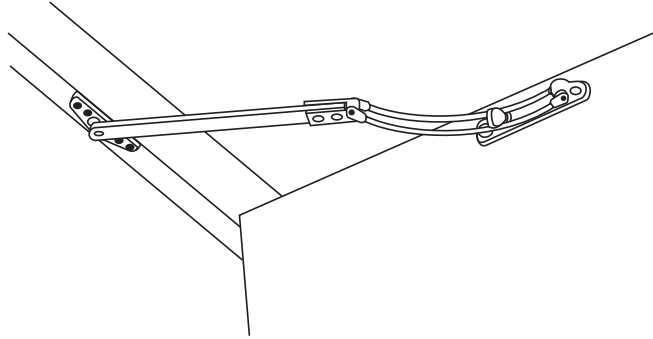
DOOR OPENING CHART (IN INCHES)

Butts Offset Pivots	Center Hung Pivots	Model Number
		Stop
*24 - 28	—	6ADJ-136
28-1/16 - 33	30 - 36	6ADJ-236
33-1/16 - 38	36-1/16 - 41	6ADJ-336
38-1/16 - 43	41-1/16 - 46	6ADJ-436
43-1/16 - 48	46-1/16 - 50	6ADJ-536

**Butt hung only on this size door. No swing clear hinges.*



Experience a safer
 and more open world



Application

- Interior or exterior doors
- Single acting
- Non-handed

Features

- Industrial duty
- Cantilever design
- Hold open only
- Double spring arm absorbs shock
- Complete screw packet with thru-bolts for door, wood and machine screws for frame
- For security areas, Torx® screws available for exposed fasteners
- Self-lubricating bronze bearings
- Sprayed finishes only
- 110° maximum opening
- Hanging means other than standard butts or offset pivots require special templating and pricing. Consult factory.

DOOR OPENING CHART (IN INCHES)

Butts Offset Pivots	Model Number
	Hold Open
24 - 30	7-126
30-1/16 - 34	7-226
34-1/16 - 39	7-326
39-1/16 - 48	7-426



Experience a safer
and more open world

Application

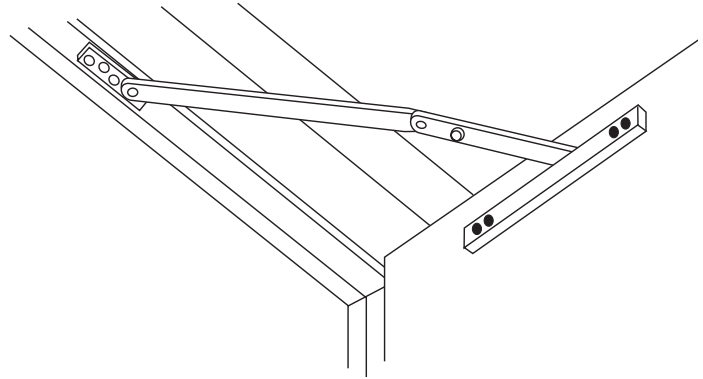
- Interior or exterior doors
- Single acting doors, push side mounting only
- Non-handed
- Recommended for high traffic, heavy abuse installations

Features

- Extra heavy-duty
- Double lever design
- Recommended for high traffic, heavy abuse installations
- Extra heavy shock absorber spring provides 6° compression before deadstop
- Available with stop function or thumbturn hold open
- Complete screw packet with thru-bolts for door, wood and machine screws for frame.
- Torx® screws optional for security applications
- Standard architectural finishes
- 110° maximum opening
- 1-3/4" minimum door thickness
- For flush mounting on the push side of the door use angle jamb bracket adapter 5458-LH or 5459-RH
- Cannot be mounted on pull side of door
- Hanging means other than standard butts or offset pivots require special templating and pricing. Consult factory.
- Stainless steel base metal only

Compliance

- Stop function UL listed for fire door assemblies

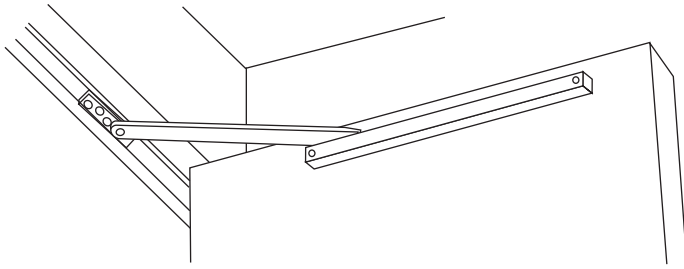


DOOR OPENING CHART (IN INCHES)

Butts Offset Pivots	Center Hung Pivots	Model Number	
		H.O.	Stop
27-1/16 - 32-1/2	27-9/16 - 35	8-226	8-236
32-9/16 - 38-3/4	35-1/16 - 42-1/2	8-326	8-336
38-13/16 - 42-1/2	41-9/16 - 45	8-426	8-436
42-9/16 - 48	45-1/16 - 48	8-526	8-536



Experience a safer
and more open world



Application

- Interior or exterior doors
- Doors are single acting
- Non-handed
- Recommended for high traffic, heavy abuse installations

Features

- Heavy-duty
- Slide track design
- Heavy shock absorber spring provides 5-7° compression before deadstop
- LS option omits spring for special application
- On/off knob on hold open models
- Stop, friction stay or hold open function
- Complete screw packet with thru-bolts for door, wood and machine screws for frame
- Torx® screws optional for security applications
- Standard architectural finishes
- Durable slider cam and shock block
- 110° maximum opening
- 1-3/4" minimum door thickness
- 1-3/16" square channel
- For pull side mounting or flush mounting on push side or for rabbeted push side use angle jamb bracket adapter 5458-LH or 5459-RH
- Hanging means other than standard butts or offset pivots require special templating

Compliance

- ANSI/BHMA A156.8, Grade 1 Certified (Hold Open, Stop Models)
- Stop function UL listed for fire door assemblies

DOOR OPENING CHART (IN INCHES)

Butts Offset Pivots	Center Hung Pivots	Model Number		
		Friction	H.O.	Stop
*24 - 28	25-1/2 - 30	9-116	9-126	9-136
28-1/16 - 33	30-1/16 - 36	9-216	9-226	9-236
33-1/16 - 38	36-1/16 - 41	9-316	9-326	9-336
38-1/16 - 43	41-1/16 - 46	9-416	9-426	9-436
43-1/16 - 48	46-1/16 - 50	9-516	9-526	9-536

*Butt hung only on this size door. No swing clear hinges.



Experience a safer and more open world

Application

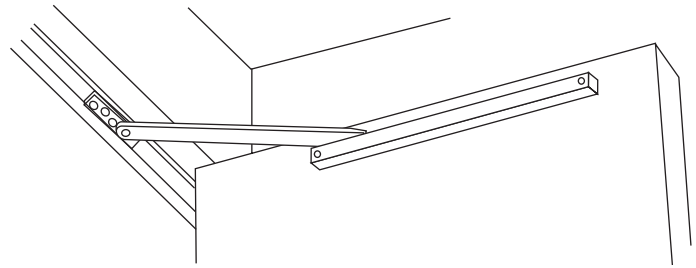
- Interior or exterior doors
- Doors are single acting
- Non-handed
- Recommended for high traffic, heavy abuse installations

Features

- Heavy-duty, adjustable
- Slide track design
- Heavy shock absorber spring provides 5-7° compression before dead stop
- Degree of opening is fully adjustable and can be adapted to changing needs
- Complete screw packet with thru-bolts for door, wood and machine screws for the frame
- For security areas, Torx® screws available for exposed fasteners
- Standard architectural finishes
- Durable slider cam and shock block
- 110° maximum opening (except 9ADJ for center hung 30-36" door which is 105°)
- 1-3/4" minimum door thickness, for thicker doors consult factory
- 1-3/16 square channel
- For pull side mounting or flush and rabbeted mounting on push side use angle jamb bracket adapter 5458-LH or 5459-RH
- Hanging means other than standard butts or offset pivots require special templating and pricing. Consult factory.

Compliance

- ANSI/BHMA A156.8, Grade 1 Certified
- Stop function UL listed for fire doors

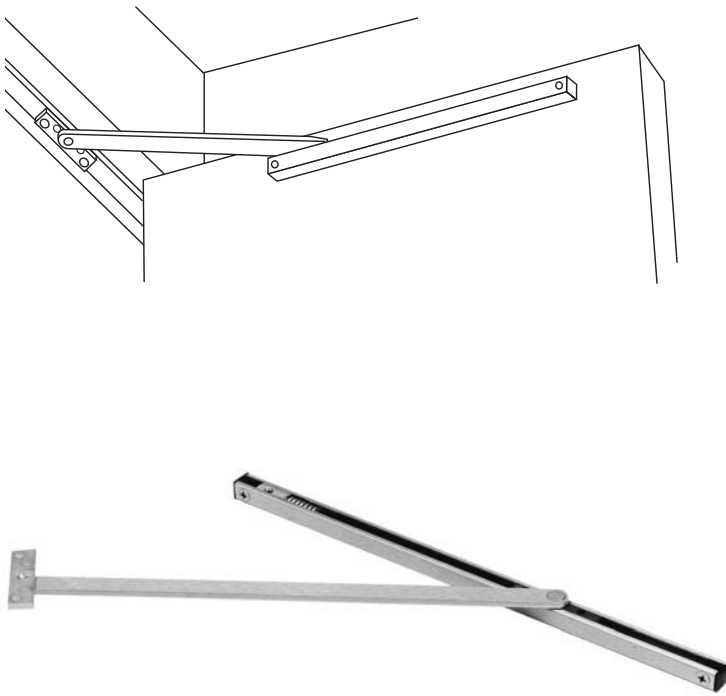


DOOR OPENING CHART (IN INCHES)

Butts Offset Pivots	Center Hung Pivots	Model Number	
		H.O.	Stop
*24 - 28	25-1/2 - 30	9ADJ-126	9ADJ-136
28-1/16 - 33	30-1/16 - 36	9ADJ-226	9ADJ-236
33-1/16 - 38	36-1/16 - 41	9ADJ-326	9ADJ-336
38-1/16 - 43	41-1/16 - 46	9ADJ-426	9ADJ-436
43-1/16 - 48	46-1/16 - 50	9ADJ-526	9ADJ-536



Experience a safer and more open world



Application

- Interior doors
- Doors are single acting
- Non-handed
- Recommended for moderate, medium weight doors

Features

- Standard duty, adjustable
- Slide track design
- Degree of opening fully adjustable and can be adapted to changing needs
- Heavy shock absorber spring provides compression before deadstop
- Can be ordered specifically as a stop, friction stay, or hold open.
- Multi-function unit is shipped as a stop. Can be converted to a hold open or friction in field. 5012- PKG (Adapter kit) included
- Complete screw packet with thru-bolts for door, wood and machine screws for frame
- Torx® screws optional for security applications, but heavy-duty units should be considered for high-security applications
- Standard architectural finishes
- Durable slider cam and shock block
- 110° maximum opening
- 3/4" square channel
- For pull side mounting or flush and rabbeted mounting on push side use angle jamb bracket adapter 5258
- Hanging means other than standard butts or offset pivots require special templating and pricing. Consult factory.

Compliance

- ANSI/BHMA A156.8, Grade 1 Certified (Stop Models)
- Stop function UL listed for fire door assemblies

DOOR OPENING CHART (IN INCHES)

Butts Offset Pivots	Center Hung Pivots	Model Number			
		Friction	H.O.	Stop	Multi
*18 - 24	21 - 26-1/2	10-116	10-126	10-136	10-146
24-1/16 - 30	26-9/16 - 32	10-216	10-226	10-236	10-246
30-1/16 - 36	32-1/16 - 38	10-316	10-326	10-336	10-346
36-1/16 - 42	38-1/16 - 45	10-416	10-426	10-436	10-446
42-1/16 - 48	45-1/16 - 48	10-516	10-526	10-536	10-546

*Butt hung only on this size door. No swing clear hinges.



Experience a safer and more open world

Application

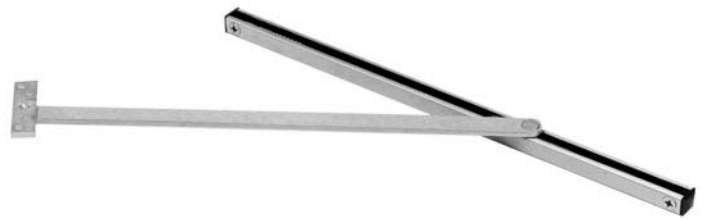
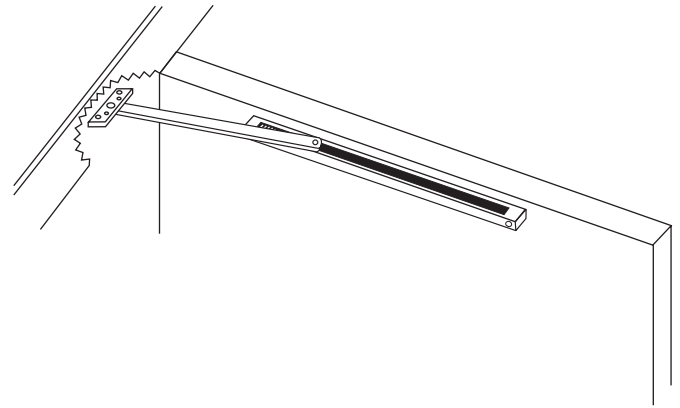
- Interior doors
- Doors are single acting
- Non-handed
- Recommended for moderate traffic, medium weight doors

Features

- Standard duty
- Slide track design
- Degree of opening determined by template. Not field adjustable
- Heavy shock absorber spring provides 5-7° compression before deadstop
- Stop and hold open functions
- Complete screw packet with thru-bolts for door, wood and machine screws for the frame
- Torx® screws optional for security applications, but heavy-duty units should be considered for high-security applications
- Available in 652 and sprayed finishes only
- Durable slide block and shock block
- 110° maximum opening
- 3/4" square channel
- For pull side mounting or flush and rabbeted mounting on push side use angle jamb bracket adapter 5258
- Hanging means other than standard butts or offset pivots require templating and pricing. Consult factory.

Compliance

- ANSI/BHMA A156.8, Grade 1 Certified (Stop Models)
- Stop function UL listed for fire door assemblies



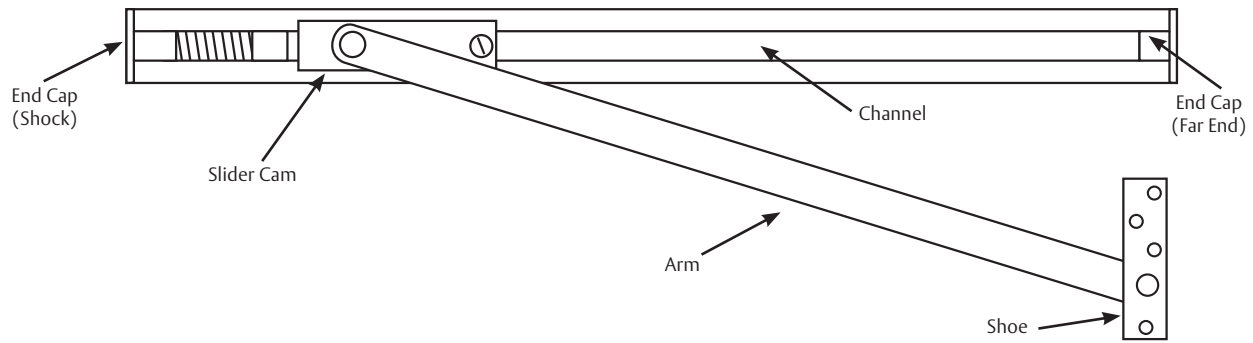
DOOR OPENING CHART (IN INCHES)

Butts Offset Pivots	Center Hung Pivots	Model Number	
		H.O.	Stop
*18 - 24	—	55-126	55-136
24-1/16 - 30	27 - 32	55-226	55-236
30-1/16 - 36	32-1/16 - 38-1/2	55-326	55-336
36-1/16 - 42	38-9/16 - 45	55-426	55-436
42-1/16 - 48	45-1/16 - 48	55-526	55-536

*Butt hung only on this size door. No swing clear hinges.



Experience a safer
and more open world



End Caps #1, 2, 9 & 10 only

1 & 9	Shock End Block	6003
	Far End Block	6004
2 & 5	Far End Block	5059 (2 req.)
10	Far End Block	5011 (2 req.)

Screw Kits

1	Stop	6487-*
	Hold Open	6998N*
1ADJ	Stop and Holder	6487-*
2	Friction or Stop	5999-*
6	Stop	6487-*
7	Friction or Stop	3880-***XA
8	Friction or Stop	5897-*
9	Friction or Stop	6468-*
	Hold Open	6997N*
9ADJ	Stop and Holder	6468-*
10 & 55	Friction or Stop	5998-*

ARM ASSEMBLIES (includes arm, shoe and slider cam)

Examples for ordering arm assemblies

Series	Dash	Size	Function	Letter for Arm Assembly	Finish	Part Number
1ADJ	-	3	36	R	630	= 1ADJ-236R 630
2	-	1	16	R	613	= 2-116R 613
6	-	4	36	R	630	= 6-436R 630
7	-	4	26	R	689	= 7-426R 689

Components for arm assemblies may not be ordered separately.

ADAPTER KITS

2	Hold Open, Friction Adapter	5012-PKG
10	Hold Open, Friction Adapter	5012-PKG

*specify finish



Experience a safer
and more open world

HOW TO ORDER

HOW TO ORDER

1 Series	—	3 Door Size	36 Function/Base Metal	X Suffix/Options	630 Finish
1 - Hvy Dty Conc		1	16 - Friction		689 Sprayed Alum
1ADJ - Hvy Dty Conc Adj		2	26 - Holder		690 Sprayed Dk Brz
2 - Std Dty Conc Adj		3	36 - Stop		691 Sprayed Lt Brz
5 - Std Dty Conc Non-Adj		4	46 - Mult-func		696 Sprayed Brass
6 - Low Profile Conc		5			605 Bright Brass
6ADJ - Low Profile Conc Adj			LS Less Spring (models 1 & 9 only)		606 Satin Brass
7 - Surf Cantilever Hldr			5258 Standard Duty Bracket		611 Bright Bronze
8HD - Extra Hvy Dty Dbl Lever			5458 LH Heavy Duty Bracket		612 Satin Bronze
9 - Hvy Dty Surf			5459 RH Heavy Duty Bracket		613 Dark Bronze
9ADJ - Hvy Dty Surf Adj			Torx Security Screws		618 Bright Nickel
10 - Std Dty Surf Adj			R Arm Only		619 Satin Nickel
55 - Std Dty Surf					622 Flat Black
					629 Bright Stainless
					630 Stainless Steel
					652 Satin Chrome
					BSP Black Suede Powder
					WSP White Suede Powder

SHIPPING WEIGHTS

Models	Shipping Weights
1, 1ADJ, 6, 6ADJ, 8HD, 9, 9ADJ	4.5 lbs.
2, 5, 10, 55	3.5 lbs.
7	7 lbs.

Less Spring – Suffix LS

Heavy-duty slide track type stops have a spring in the end of the channel that keeps the slider from deadstopping. If these units are being used with electromechanical closer, where the door, must deadstop, the LS option is needed. Available only with models 1 and 9

Angle Jamb Bracket Adapter

Standard-duty models suffix 5258 (non-handed)

Heavy-duty models suffix 5458 (LH) or 5459 (RH)

When surface mounted units are mounted on a rabbeted door on the push side, flush door and transom on the push side, or in a reverse installation on the pull side of the door, a special bracket is needed. Note: not all models can be mounted on the pull side of the door (see specific model numbers in catalog.)

Security Screws – Suffix Torx®

Security screws can be supplied for exposed fasteners



5258



5458/5459



Experience a safer and more open world

PRODUCT COMPARISON CHART

	1 Series	1ADJ Series	2 Series	5 Series	6 Series	6ADJ Series	7 Series	8HD Series	9 Series	9ADJ Series	10 Series	55 Series
Application	High Traffic, Heavy Abuse Installations	High Traffic, Heavy Abuse Installations	Moderate Traffic, Medium Weight Doors	Moderate Traffic, Medium Weight Doors	Moderate Traffic, Medium Weight Aluminum Storefront Doors	Moderate Traffic, Medium Weight Aluminum Storefront Doors	Industrial Applications	High Traffic, Heavy Abuse Installations	High Traffic, Heavy Abuse Installations	High Traffic, Heavy Abuse Installations	Moderate Traffic, Medium Weight Doors	Moderate Traffic, Medium Weight Doors
Heavy-Duty	•	•						•	•	•		
Standard Duty			•	•							•	•
Concealed	•	•	•	•	•	•						
Low Profile					•	•						
Surface							•	•	•	•	•	•
Type of arm	Slide track	Slide track	Slide track	Slide track	Slide track	Slide track	Double spring	Double lever	Slide track	Slide track	Slide track	Slide track
Adjustable		•	•			•				•	•	
Exterior Door	•	•			•	•	•	•	•	•		
Interior Door	•	•	•	•	•	•	•	•	•	•	•	•
Single or Double Acting Doors	Single or Double	Single or Double	Single or Double	Single or Double	Single or Double	Single or Double	Single only	Single only (push side mount)	Single only	Single only	Single only	Single only
Maximum opening ¹	110°	110°	110°	110°	110°	110°	110°	110°	110°	110°	110°	110°
Standard Door Thickness ²	1-3/4"	1-3/4"	1-3/4"	1-3/4"	1-3/4"	1-3/4"	1-3/4"	1-3/4"	1-3/4"	1-3/4"	1-3/4"	1-3/4"
Friction	•		•						•		•	
Hold Open	•	•	•	•			•	•	•	•	•	•
Stop	•	•	•	•	•	•		•	•	•	•	•
Multi-Function			•								•	
LS option ³	•								•			
Grade 1 Certified ⁴	•	•	•	•	•	•			•	•	•	•
Stop function UL listed for fire door assemblies	•	•	•	•	•	•		•	•	•	•	•

1 Maximum opening for ADJ series center hung 30-36" is 105°
 2 For thicker doors, consult factory
 3 LS = Less Spring
 4 Refer to product pages for specify models that meet certification.



Experience a safer
and more open world

The ASSA ABLOY Group is the global leader in access solutions. Every day, we help billions of people experience a more open world.

ASSA ABLOY Opening Solutions leads the development within door openings and products for access solutions in homes, businesses and institutions. Our offering includes doors, frames, door and window hardware, locks, perimeter fencing, access control and service.

RIXSON[®]
ASSA ABLOY

CONTACT US AT:

Rixson[®]
3000 Highway 74 East
Monroe, NC 28112
Tel: 800-457-5670
Fax: 800-221-0489

ASSA ABLOY Door Security Solutions Canada
160 Four Valley Drive
Vaughan, Ontario, L4K 4T9 Canada
Tel: 800-461-3007
Fax: 800-461-8989

For a complete listing of products and applications please visit our web site.
www.rixson.com
www.assaabloydss.ca