

9150 Series



The 9150 Benchmark by LCN is an electrically powered low-energy operator. It provides easy access for people with disabilities, or the elderly. Designed primarily for automatic opening applications that occasionally require manual opening. The Benchmark is a cost-effective solution for retrofitting an activated or manual door.

Features

Certifications	Grade 1 - ANSI A156.19, UL325/228, ADA, 100 Hour Salt Spray, Meets BAA - Buy American Act	Cover	Metal Cover (MC)
Handing	Non-handed	Fasteners	Wood and Machine Screws (WMS)
Templating	Peel-n-Stick templates - 2 3/8" x 6 3/4" mounting hole pattern	Mounting	Pair of doors, surface mount, offset pivot/butt hinges (push side)
Door width	<ul style="list-style-type: none"> Minimum door width 52" - 96" 72" door width only for full length double operator 	Arms	Regular Arm (REGARM)
Warranty	2 years	Finishes/colors/powder coat	<ul style="list-style-type: none"> 628 Aluminum, Anodized 710 Dark Brown, Anodized

Special templates | Customized installation templates or products may be available to solve non-standard applications. Contact LCN Product Support for assistance.

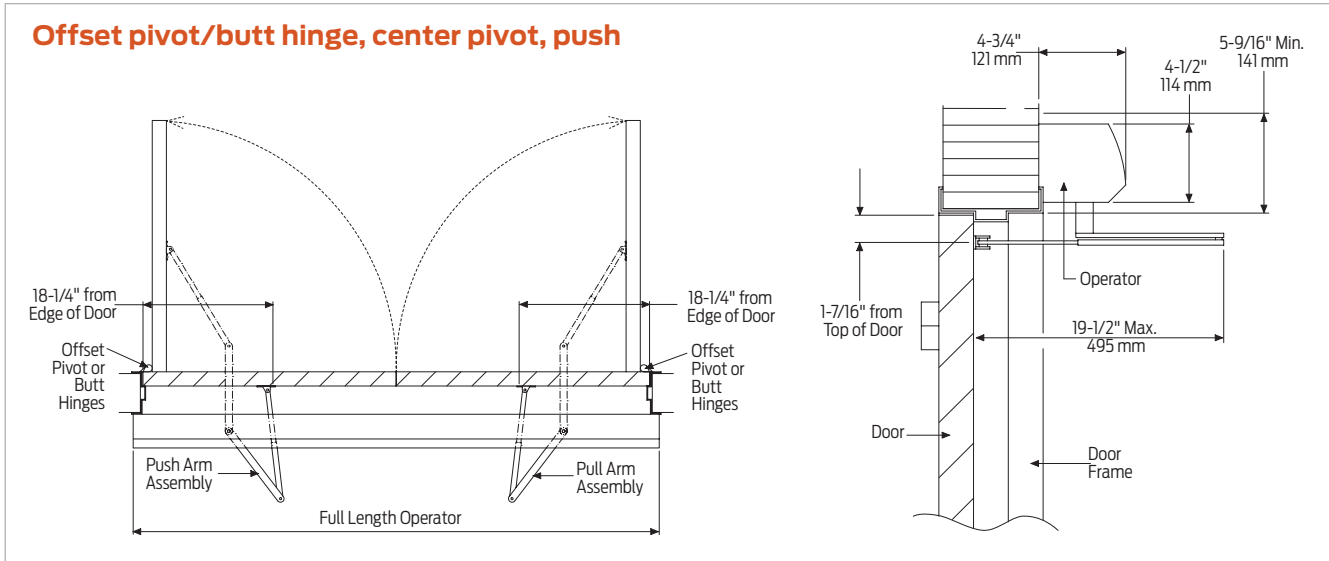
Mounting	Handing	Finish	Cover	Arm function
Surface mount single door	Handed	Standard anodized	Standard (single lever)	Offset pivot arm
Surface mount simultaneous pair	Non-handed	Metal	Regular (double lever)	Center pivot arm
Surface mount independent pair			Double egress (push/pull)	
Concealed single door				
Concealed simultaneous pair				
Concealed independent pair				

■ Available
■ Not available

Introduction
 Product selection guide
 Pneumatic systems / Auto equalizers / 2610/4810/4820/4840/7900 Series
 Electrohydraulic systems / Auto equalizers / 4630/4640 Series
 Electromechanical systems / Benchmark / 9130/9140/9150 Series
 Electromechanical systems / Senior Swing / 2810/2850/2860/9530/9540/9550/9560 Series
 Actuators and accessories

Mounting details

Top jamb, independent/simultaneous pair mounting



Butt hinges	Should not exceed 5" (127 mm) in width
Reveal	Push installations should not exceed 6" (152 mm) for regular arm and 9 3/4" (248 mm) for long arm
Top rail	<ul style="list-style-type: none"> Minimum 2" (51 mm) Flush ceiling installation requires 5 1/4" (133 mm) minimum
Head frame	Minimum 2" (51 mm)
Opening and closing time	<ul style="list-style-type: none"> Variable by adjustments to the electronic control module located on the operator assembly Maximum hold open time adjustable up to approximately 32 seconds
System diagram	See pages 45 for typical system wiring and page 44 for electrical data
Maximum opening	Template allows 90 degree power opening and 90 degree manual opening

Notes:

- Determined by wiring
- Push N' Go permits non-switch activation with a microprocessor control box that ensures reliability and maintains customer settings
- Power boost allows for increased closing force near latch
- All potentiometers clearly labeled with their functions
- LED lights indicate power to control box and motor gearbox

Accessories

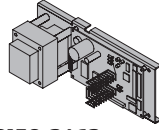
Motor gearbox



9150-3454S
Standard Motor Gearbox (MGB)

- Driving mechanism for operator (switch included)

Control box



9150-3462
Standard Controller (120 volts) (CTRL)

- Electronic controlling device with power supply output and power boost feature

Arm



9150-3077
Regular Arm (REGARM)

- Non-handed



9150-3077L
Long Arm (LONG)

- Non-handed



9150-79
Rod and shoe

- For use with regular arm



9150-79LR
Long rod and shoe

- Used with long arm, for deep reveals

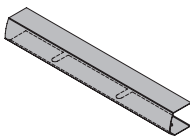
Brackets



9150-3018
Mounting Bracket

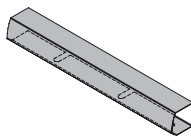
- Standard

Covers



9150-72MC
Standard 72" Metal Cover (MC72)

- Non-handed
- 72"
- Extruded aluminum cover
- Standard



9150-163
Cover Insert

- Used to cover operator shaft opening (includes 2 pieces)



9150-163-1
Cover End Cap Insert

- Used to cover switch hole opening



9150-334
Cover End Cap

- Black plastic
- Includes 9130-163-1 cover and cap insert

Introduction
 Product selection guide
 Pneumatic systems
 Auto equalizers
 2610/4810/4820/4840/7900 Series
 Electrohydraulic systems
 Auto equalizers
 4630/4640 Series
 Electromechanical systems
 Benchmark
 9130/9140/9150 Series
 Electromechanical systems
 Senior Swing
 2810/2850/2860/9530/9540/9550/9560 Series
 Actuators and accessories

Ordering information

How-to-order 9150 Series operators

1. Select finish

- Standard anodized finish _____
Aluminum, Clear Anodized (628) or
Dark Brown, Anodized (710).

Operator will be shipped with:

- Standard motor gearbox (2 ea)
- Standard control box (2 ea)
- Mounting bracket (2 ea)
- 27" metal cover
- Standard arm (2 ea)
- Wood and machine screws
(unless options listed below are selected)

Operator options

Arm

- Long Arm (LONG) (reveals 6" to 9 3/4")

Table of sizes

Notes: For 9150 Benchmark series. 72" door width only for full length push double door operator.