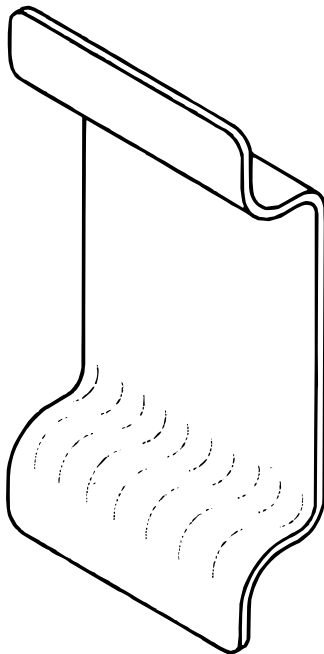




213F, 214F, 217F Trim Installation Instructions

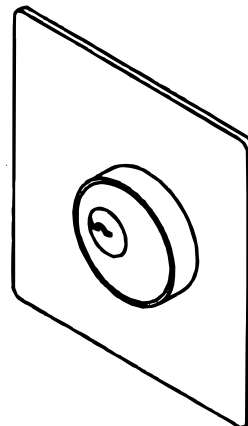
Attention Installer

Any retrofit or other field modification to a fire rated opening can potentially impact the fire rating of the opening, and Yale Locks & Hardware makes no representations or warranties concerning what such impact may be in any specific situation. When retrofitting any portion of an existing fire rated opening, or specifying and installing a new fire-rated opening, please consult with a code specialist or local code official (Authority Having Jurisdiction) to ensure compliance with all applicable codes and ratings.



214F

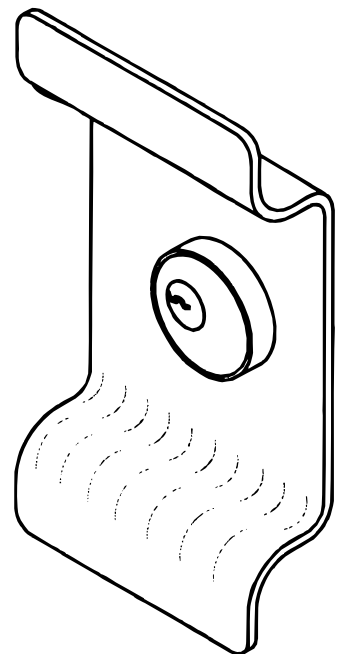
Dummy Trim F02: (Not for fire exit)
Door pull when device is dogged.



213F

F03: Key retracts bolt(s).

NON-HANDED: Horizontal keyway

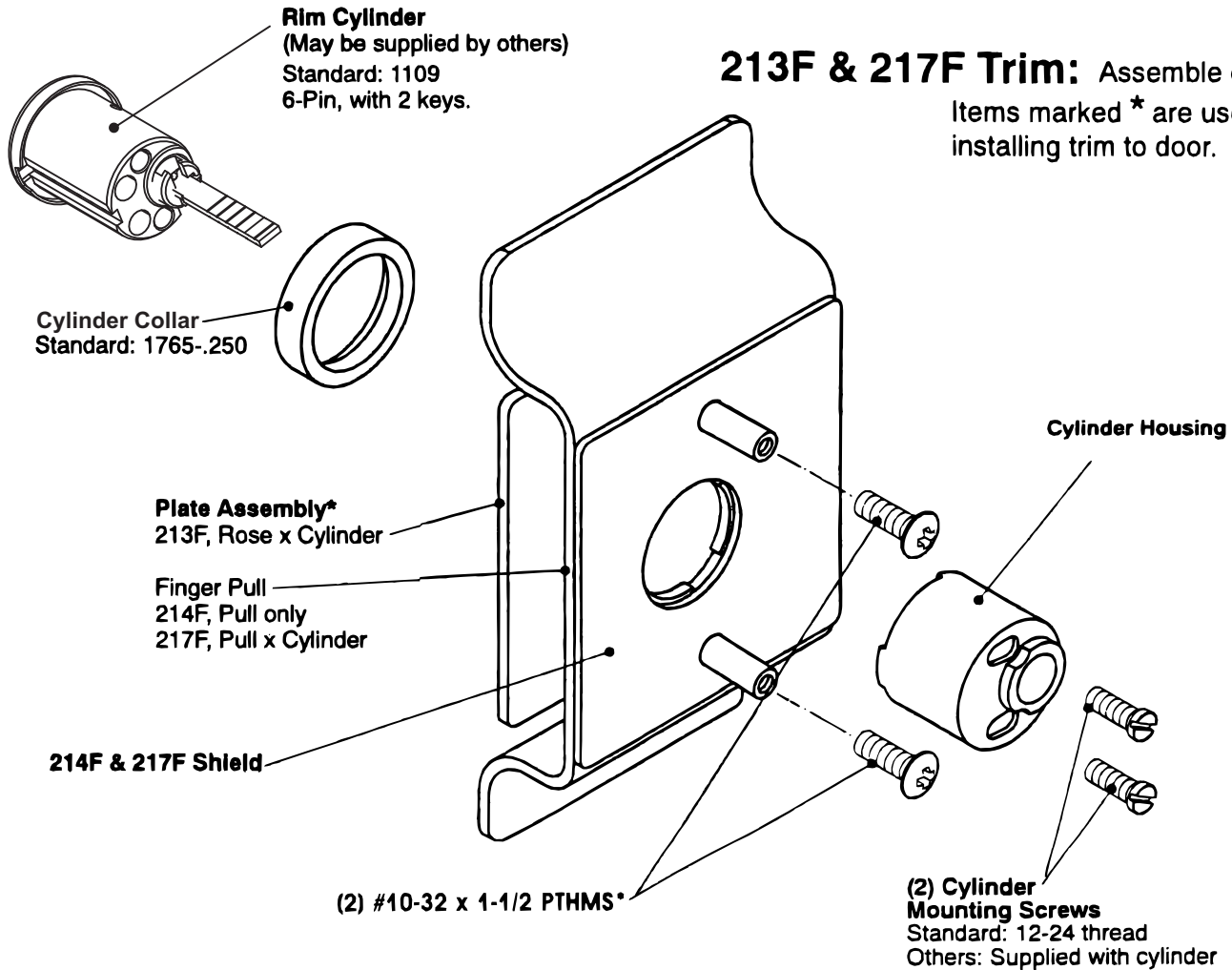


217F



214F Trim: No preassembly required. Box should contain items marked*

213F & 217F Trim: Assemble cylinder. Items marked * are used for installing trim to door.

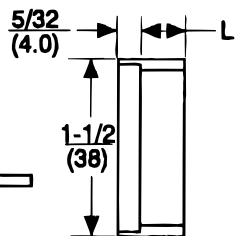
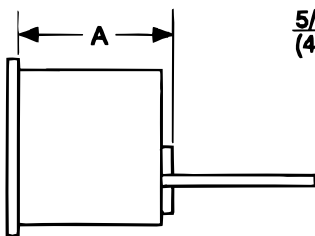


CYLINDER APPLICATION

CYLINDER ASSEMBLY

Rim Cylinder

Cylinder Collar



Cylinder Collar "L" = (Cylinder "A" - 1")

Cylinder Collar "L" = (Cylinder "A" - 25mm)

1. Check cylinder components. See chart. Non-standard cylinder collars and mounting screws must be supplied with optional cylinders.
2. Assemble cylinder (note horizontal keyway). Insert Cylinder Housing prongs into Escutcheon matching notches. Pass Cylinder tailpiece thru Cylinder Collar and Cylinder Housing hole. Bolt Cylinder seated in Cylinder Collar recess (DO NOT OVERTIGHTEN SCREWS).
3. Check cylinder action. Cylinder key must freely rotate tailpiece when turned in either direction.

YALE CYLINDER

CYLINDER COLLAR

CYLINDER MOUNTING SCREWS

6-PIN: Fixed Core

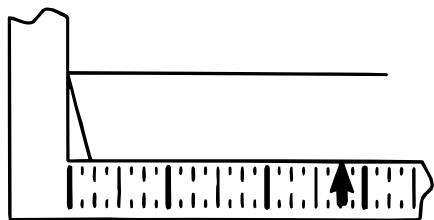
1765.250 (STD.)

60-7000-1235-048 (STD.)

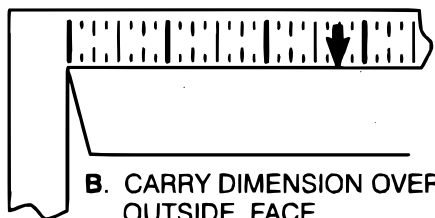
For other cylinder types, refer to 2100 series exit device catalog for collar information.

Installation Instructions

1. Check box contents. (See other side for box components and assembly instructions).
2. Carry "Vertical Reference Centerline" to outside door face. Follow steps **A** and **B**, below.



A. MEASURE INSIDE LINE LOCATION.



B. CARRY DIMENSION OVER TO OUTSIDE FACE.

3. Carry Horizontal Reference Centerline" from inside to outside door face. STD 161 Door Prep Acceptable.
4. Align trim template and tape to door, outside face. Non-Handed Trim – Installer preference for cylinder/key direction will determine position of 1/4" offset for cutout. **CAUTION:** Office copiers and facsimile machines may change the size of a drawing and make the template inaccurate to use as a door marker. If this is not the original template packed with the trim, use only the dimensions written on the template to locate the holes on the door (do not use the template as a door marker).
5. Spot holes and prepare door for trim.
6. Mount trim to door. Fasten finger tight with 2 #10-32 x 1-1/2" PTH machine screws supplied (See Figure 1.)
Note: If installing 214F dummy trim, continue as shown in device instructions.
7. With trim in place, cut trim tailpiece as shown in Figure 2.
8. Seat device so that trim tailpiece penetrates cam slot, as shown in Figure 1. Continue as shown in device instructions.

Trim for RHR or LHR door, as packed.

STOCK DOORS:

Installation shows preparation for exit device trim. Stock door with ANSI/BHMA A156.115 preparation, for cylindrical lock with 2-3/4 (70) backset, may be used as substitute, when Trim is used with rim or SVR device.

Figure 1.

(2) Screws bolt trim to door (holes "B").

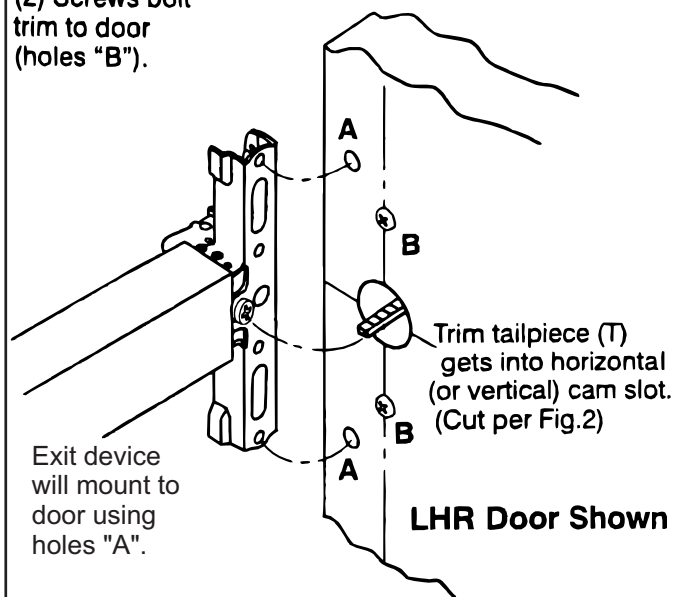
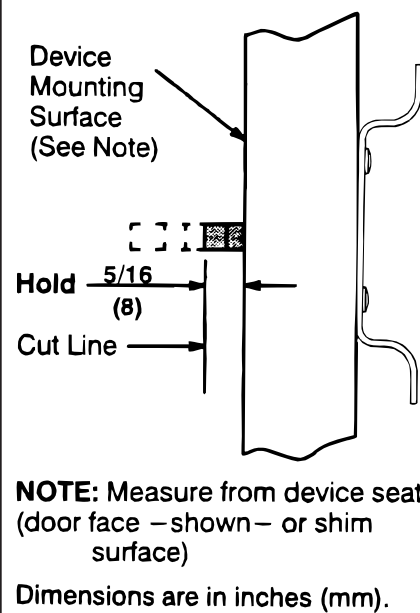
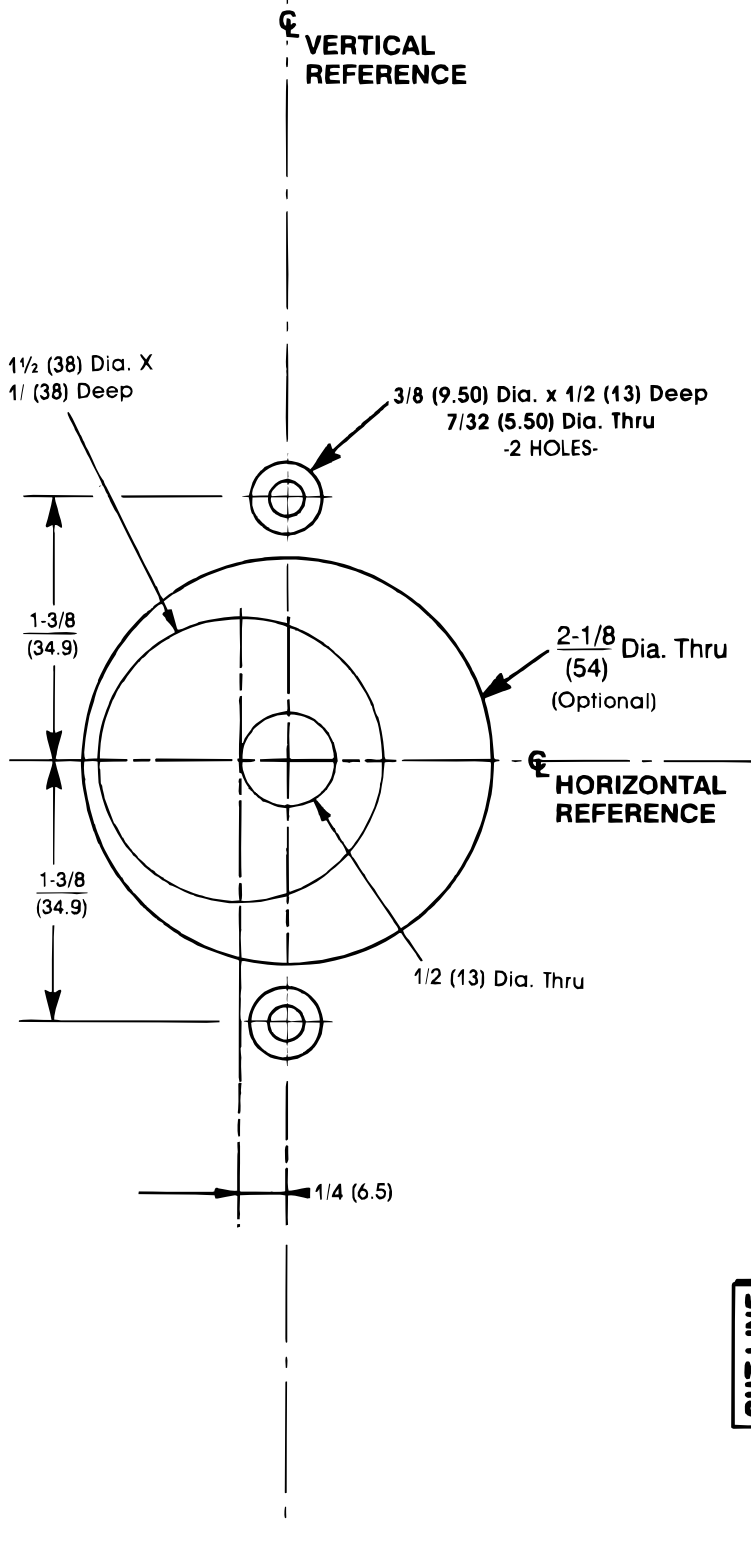


Figure 2.



DOOR OUTSIDE FACE



CUT LINE



Yale Locks & Hardware

Product Support Tel 800.438.1951 • www.yalelocks.com

Yale Locks & Hardware is a division of Yale Security Inc., an ASSA ABLOY Group company.

Yale® is a registered trademark of Yale Security Inc., an ASSA ABLOY Group company. Other products' brand names may be trademarks or registered trademarks of their respective owners and are mentioned for reference purposes only. These materials are protected under U.S. copyright laws. All contents current at time of publication.

Yale Security Inc. reserves the right to change availability of any item in this catalog, its design, construction, and/or its materials.

Copyright © 1996, 2013, Yale Security Inc., an ASSA ABLOY Group company.

All rights reserved. Reproduction in whole or in part without the express written permission of Yale Security Inc. is prohibited.