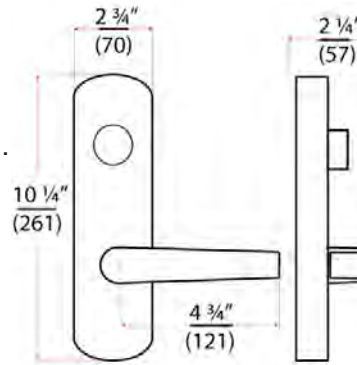


Trim Selection

RIGID LEVER ESCUTCHEON

CONSTRUCTION

- Rigid, non-clutch mechanism
- Double heavy duty spring support to prevent sagging and enhance operation
- Grade 1, thru-bolted design. Non-handed design. Easily field reversible
- Hardened steel heavy duty tailpiece. Available for fire and non-fire rated rim and vertical rod exit devices
- Standard 6-Pin Schlage "C" Mortise Cylinder included



DOOR THICKNESS

Standard 1 3/4". For 2 1/4" thick door use additional Part # TAIL3

ESCUTCHEON DIMENSIONS

2 3/4" width X 10 1/4" length. Lever length: 4 3/4". Fits and covers 2 1/8" 161 cutout

ESC7700 or

- ICESC7700 or
- ICSCESC7700

ENTRANCE

Rigid Entrance, key locks or unlocks escutcheon trim ANSI FUNCTION (63) Operates as classroom function

ESC7705 or

- ICESC7705 or
- ICSCESC7705

STOREROOM

Rigid Storeroom, key unlocks lever, lever retracts latch bolt, otherwise always locked ANSI FUNCTION (04)

ESC7730

PASSAGE

Trim always operable and free ANSI Function (62)

ESC7740

DUMMY

Dummy Escutcheon trim ANSI FUNCTION (10)

TO ORDER other lever design insert "AT" or "RL" before "ESC":
e.g. **ATESC7700** for ESC7700 with AT design or **RLESC7700** for ESC7700

KEYWAY: 6-Pin solid brass "C" keyway Mortise Cylinder standard. Optional: Schlage E, Schlage C-K, Russwin D1-2-3-4, Corbin 59/60, Sargent LA-LB-LC, Falcon/Weiser E, Arrow A, Yale 8, Yale GA and Kwikset. Can also accept Medeco, Assa, Kaba and **Cal-Royal HSK** High Security Cylinders.

FOR ELECTRIFIED TRIM OPTIONS SEE PAGE 12

- **(IC) INTERCHANGEABLE CORE:** Interchangeable Core locks will accept compatible 6 or 7-Pin cores with BEST, FALCON and ARROW
- **(ICSC) INTERCHANGEABLE CORE:** Indicates function available with **Schlage Full Size Format** Interchangeable Core. Corbin, Sargent and Yale format also available.

Lever Trim Designs



NESC



ATESC



RLESC



TUBESC