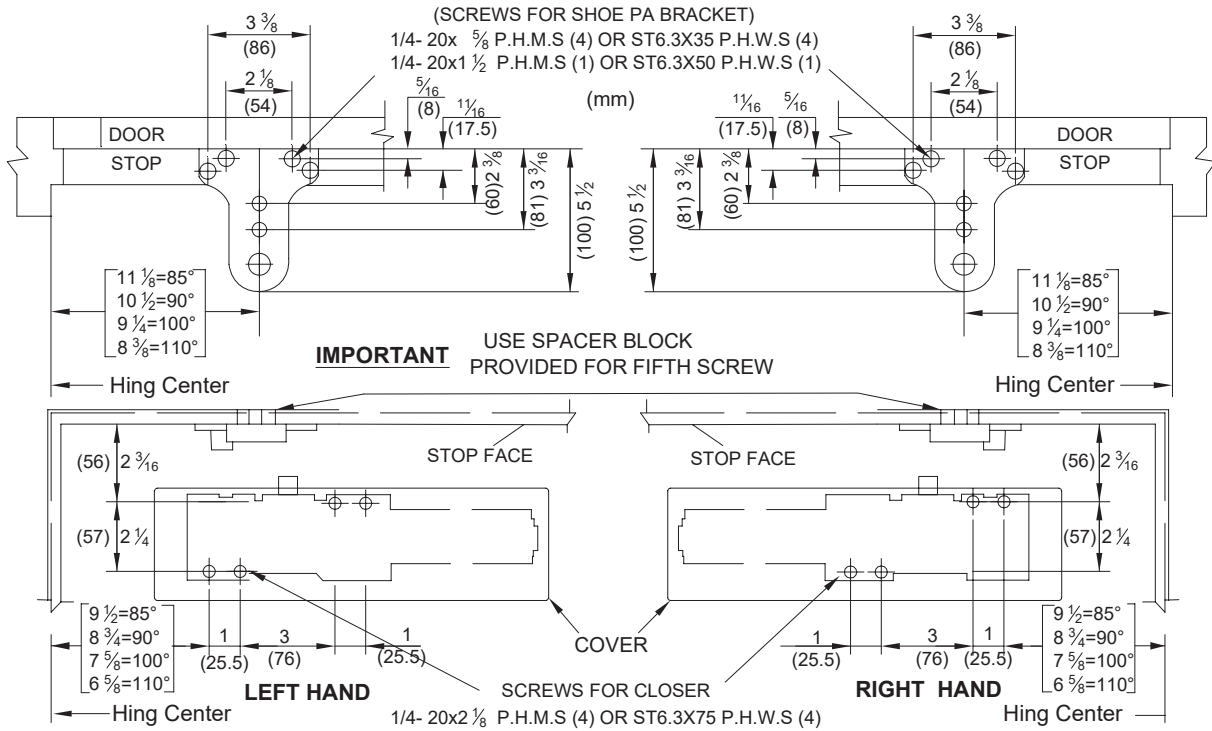


FOR USE WITH TDC-400 MODEL DOOR CLOSER INSTALLATION & INSTRUCTION SHEET

For Heavy Duty Arm W /Dead Stop , HD Hold Open Arm W /Dead Stop

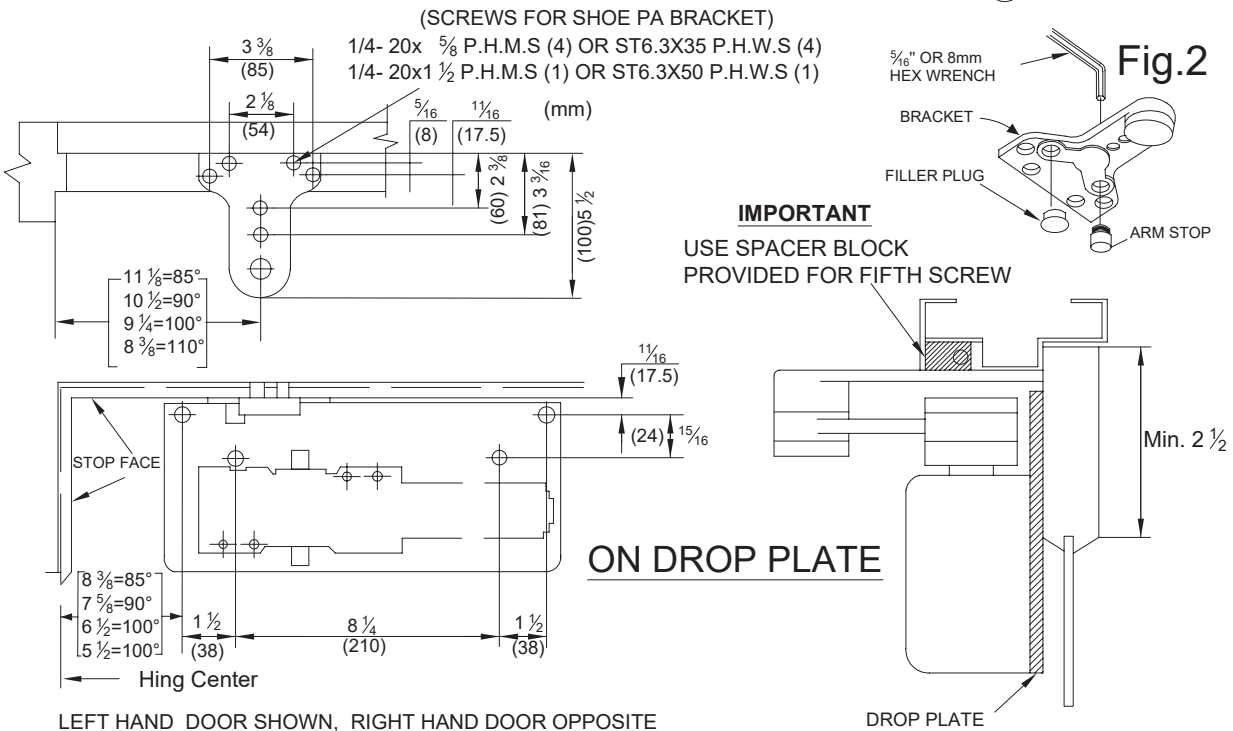
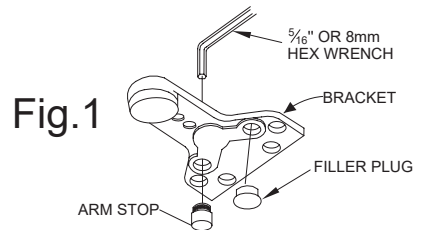
MOUNTED STOP FACE (PUSH SIDE) PARALLEL ARM

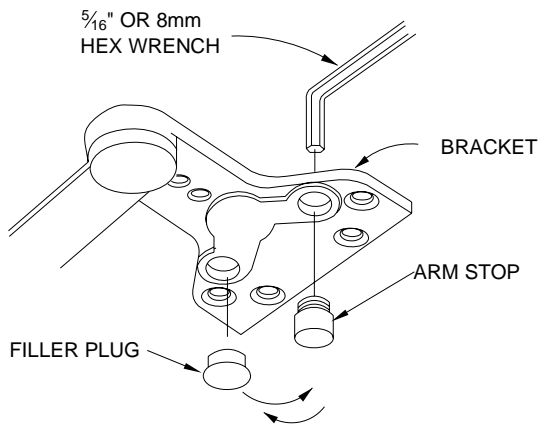
TOP RAIL LESS THAN 5-1/2", DROP PALTE WILL BE REQUIRED .MAXIMUM OPENING 110°.



CAUTION

BEFORE INSTALLING MOUNTED STOP FACE (PARALLEL ARM), TURN BACK CHECK SELECTOR VALVE (FOUND IN OPPOSITE SIDE OF CLOSER FROM REGULATING SCREWS SIDE) ALL THE WAY IN (CLOCKWISE) !





INTERCHANGEABLE FOR DOOR HANDING

THE HAND MUST BE DETERMINED & CHANGED IF NECESSARY BEFORE THE BRACKET IS MOUNTED TO THE DOOR STOP(TOP JAMB).

Refer to page 1.

FOR LEFT HAND DOORS (Fig.1)

All brackets are shipped assembled for LEFT HAND DOOR. Insert $\frac{5}{16}$ "(8mm) hex wrench into ARM STOP and Turn counter clockwise to seat as tightly as possible. Push filler plug in firmly.

FOR RIGHT HAND DOORS (Fig.2)

Pull filler plug out of bracket
Use a $\frac{5}{16}$ "(8mm) hex wrench, Turn ARM STOP clockwise to remove from bracket insert hole . Turn hex wrench counter clockwise to seat ARM STOP as tightly as possible.
Push filler plug into other hole.

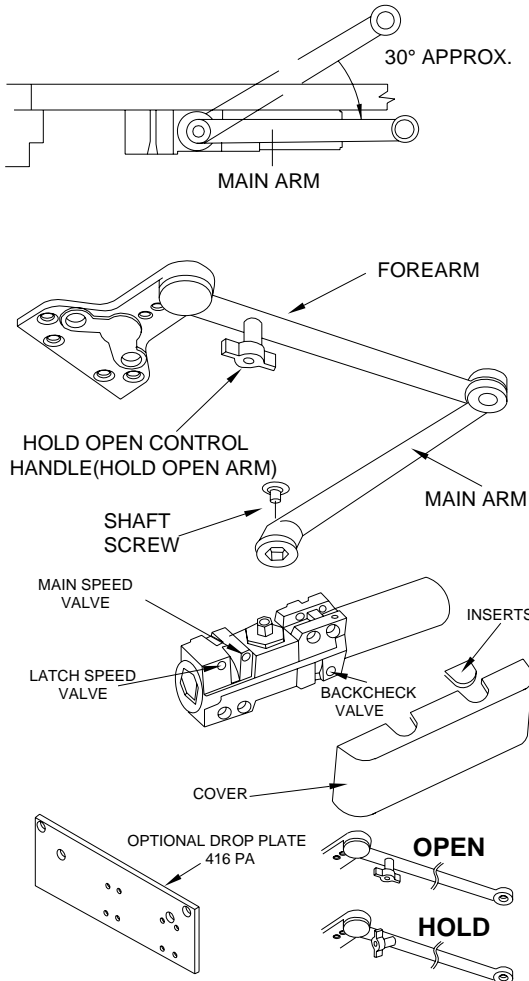
INSTALLATION SEQUENCE

CAUTION

IMPROPER INSTALLATION OR REGULATION
MAY RESULT IN PERSONAL INJURY OR
PROPERTY DAMAGE.FOLLOW ALL
INSTRUCTIONS CAREFULLY.

INSTALLATION INSTRUCTIONS

1. Adjust spring power to match door width as indicated by chart **PLEASE REFER TO 416 DOOR CLOSER INSTALLATION.**
2. Select proper templating based on degree of opening /dead stop. The closer and arm holes must be located for same degree of opening/dead stop. Drill and or top mounting holes in door and head jamb.
3. Attach complete arm to closer as shown at left . Arm will be at about 30°angle to closer body. Fasten with arm shaft screw. The arm will appear to be in an incorrect position. This is to accommodate the pre-load required for parallel arm mounted door closers
4. Mount closer on door, using fasteners provided.
NOTE:Arm will provide resistance.
5. Swing door open about 45°. Mount shoe to frame stop per proper templating. Be sure to install the "Fifth" screw. If Stop is not wide enough, use spacer block provided.



IMPORTANT REMARKS

Do NOT allow door to slam into frame.

A normal standard closing time from 90° open position is 5 to 7 seconds evenly divided between main closing (Sweep) speed and latching speed. Adjust the SWEEP speed first, then adjust the LATCHING speed.

To adjust main speed, turn reg. screw clockwise to decrease or counter-clockwise to increase. To adjust latch speed, turn reg. screw clockwise to decrease or counter-clockwise to increase. Reg.screw locations are shown at left on label.

ADJUSTABLE BACKCHECK FUNCTION

This function is essential to proper operation of HEAVY DUTYARM W/ DEAD STOP. Use enough to prevent arm from striking stop with impact. See page 1.

ATTACH COVER

Install cover securely using screws provided.

HOW TO HOLD -OPEN

A quarter turn on the HOLD-OPEN CONTROL HANDLE engages or disengages hold -open.