

RIGHT HAND DOOR & PIVOT SHOWN.  
LEFT HAND OPPOSITE

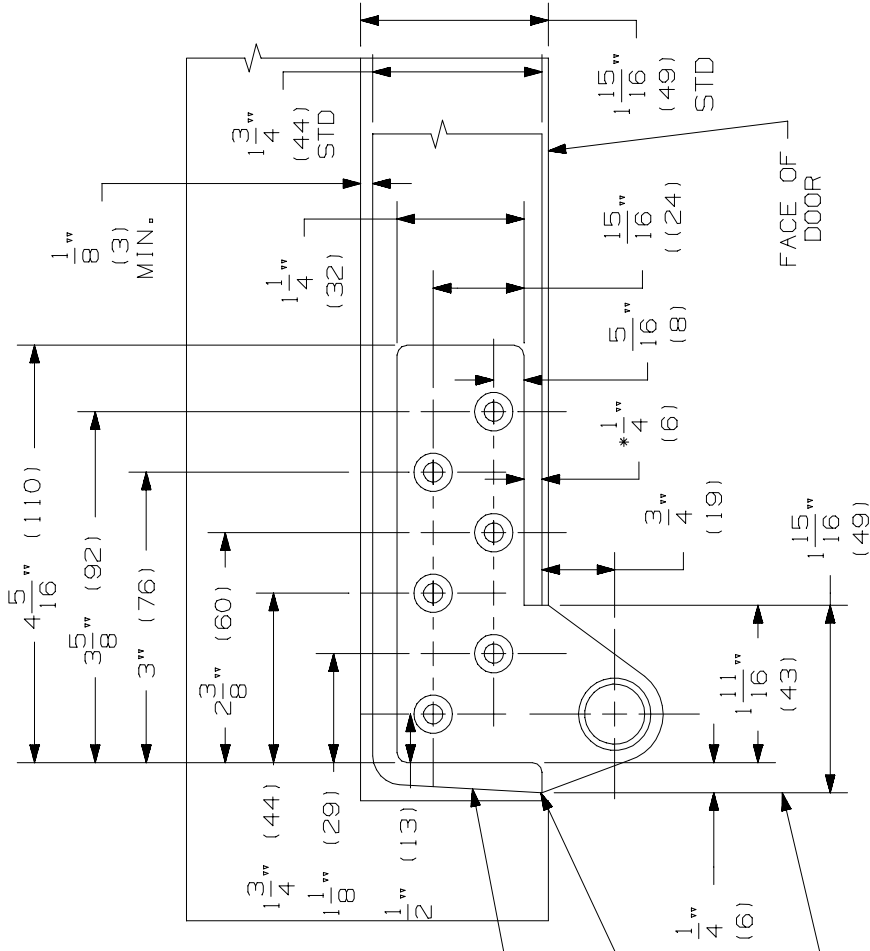
NOTES:

1. INSTALLER MUST VERIFY THAT CENTERLINE OF TOP PIVOT POINT LINES UP WITH THE CENTERLINE OF BOTTOM PIVOT POINT.
2. BOTTOM PIVOT SET SHOULD BE MOUNTED FIRST IN MOST INSTALLATIONS.
3. HEEL EDGE OF DOOR MUST BE BEVELED 1/8" IN 2" AS SHOWN.
4. PIVOTS MFG. TO ACCEPT 1/4-20 X 3/4 FPHMS OR #14 X 1-1/2 FPHMS.
5. TEMPLATING FOR DOOR LEAF & FRAME LEAF IS IDENTICAL.
6. REINFORCING PER ANSI/SDD1-100 RECOMMENDED FOR HOLLOW METAL DOORS & FRAMES.

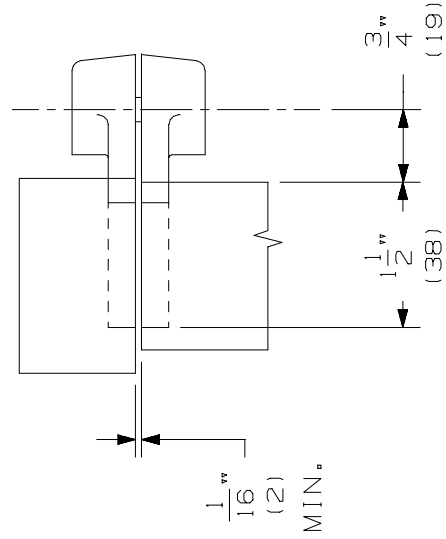
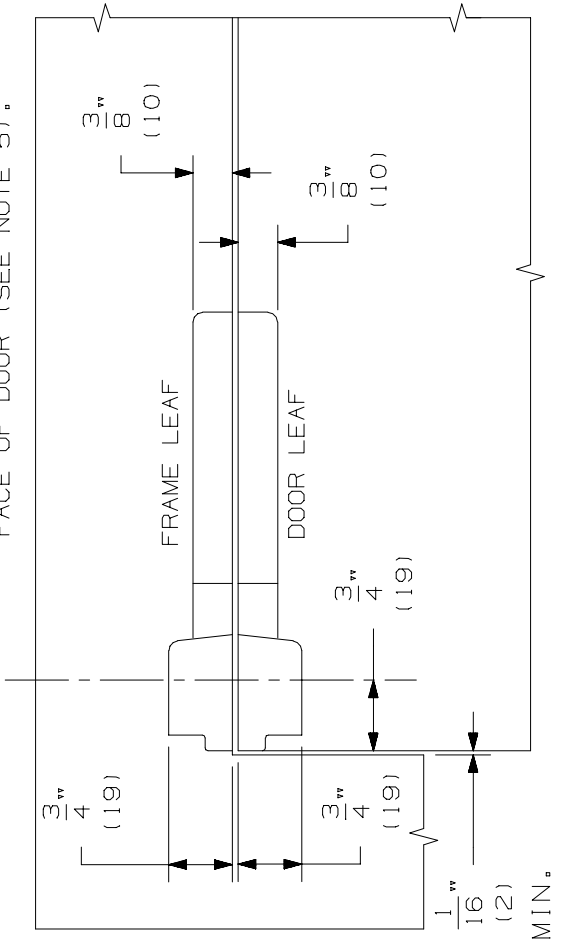
BEVEL HEEL EDGE  
OF DOOR 1/8 IN 2" IN  
5/16 RAD. TYP.

SECTION OF HEAD  
JAMB MAY REQUIRE  
SMALL NOTCH

EDGE OF  
DOOR



\* FRAME LEAF ALSO LOCATES FROM  
FACE OF DOOR (SEE NOTE 5).



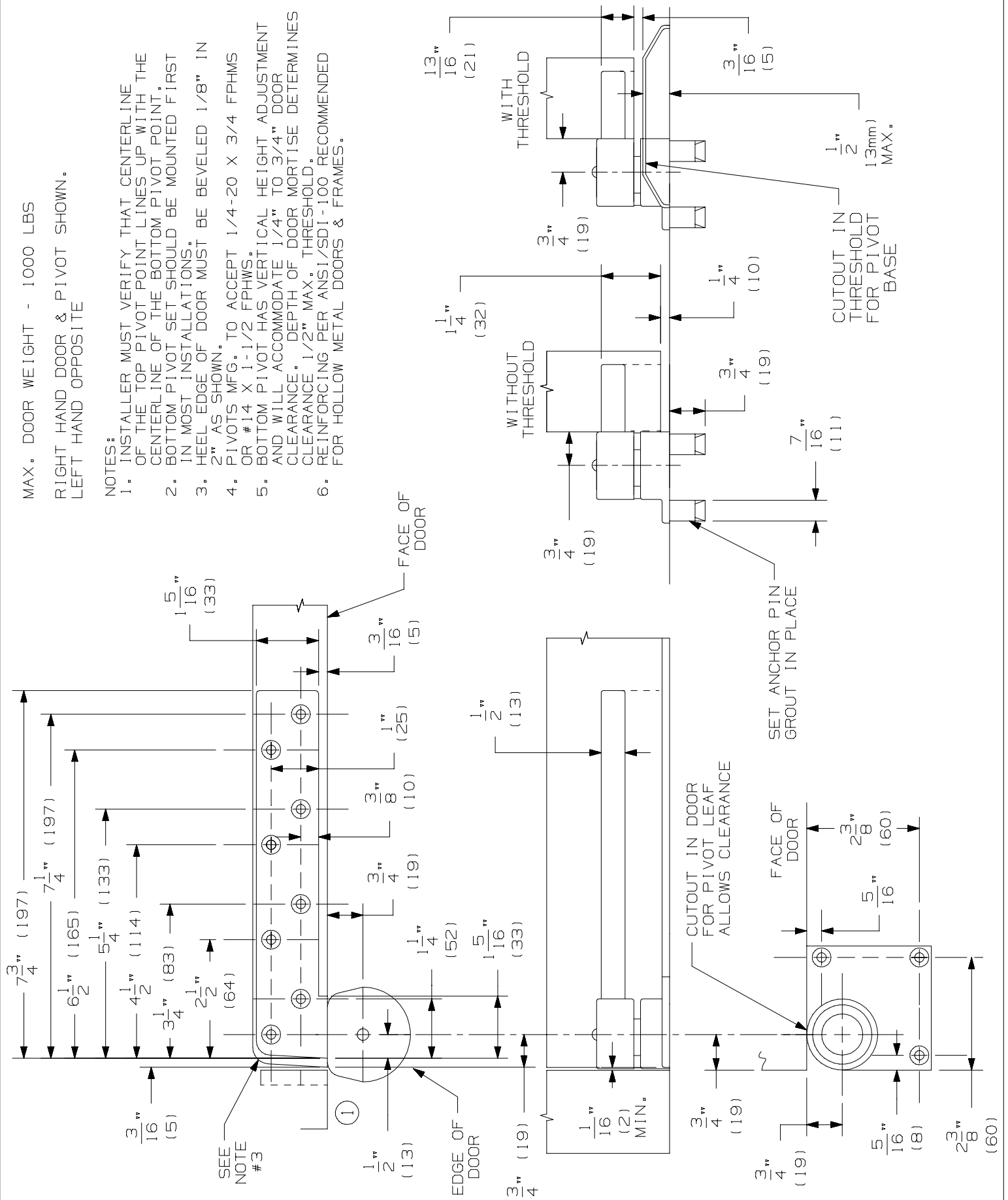
7230F PIVOT SET  
7230F TOP PIVOT



MAX. DOOR WEIGHT - 1000 LBS  
 RIGHT HAND DOOR & PIVOT SHOWN.  
 LEFT HAND OPPOSITE

NOTES:

1. INSTALLER MUST VERIFY THAT CENTERLINE OF THE TOP PIVOT POINT LINES UP WITH THE CENTERLINE OF THE BOTTOM PIVOT POINT.
2. BOTTOM PIVOT SET SHOULD BE MOUNTED FIRST IN MOST INSTALLATIONS.
3. HEEL EDGE OF DOOR MUST BE BEVELED 1/8" IN 2" AS SHOWN.
4. PIVOTS MFG. TO ACCEPT 1/4-20 X 3/4 FPHMS OR #14 X 1-1/2 FPHWS.
5. BOTTOM PIVOT HAS VERTICAL HEIGHT ADJUSTMENT AND WILL ACCOMMODATE 1/4" TO 3/4" DOOR CLEARANCE. DEPTH OF DOOR MORTISE DETERMINES CLEARANCE. 1/2" MAX. THRESHOLD. REINFORCING PER ANSI/SDI-100 RECOMMENDED FOR HOLLOW METAL DOORS & FRAMES.



**IVES** 7230F PIVOT SET  
 7230F BOTTOM PIVOT



NOTE: DIMENSIONS IN ( ) ARE IN MILLIMETERS

TEMPLATE NUMBER: INST.7230\_B PG2

© 2015 Allegion  
 INST\_7230 Rev. 01/15-b