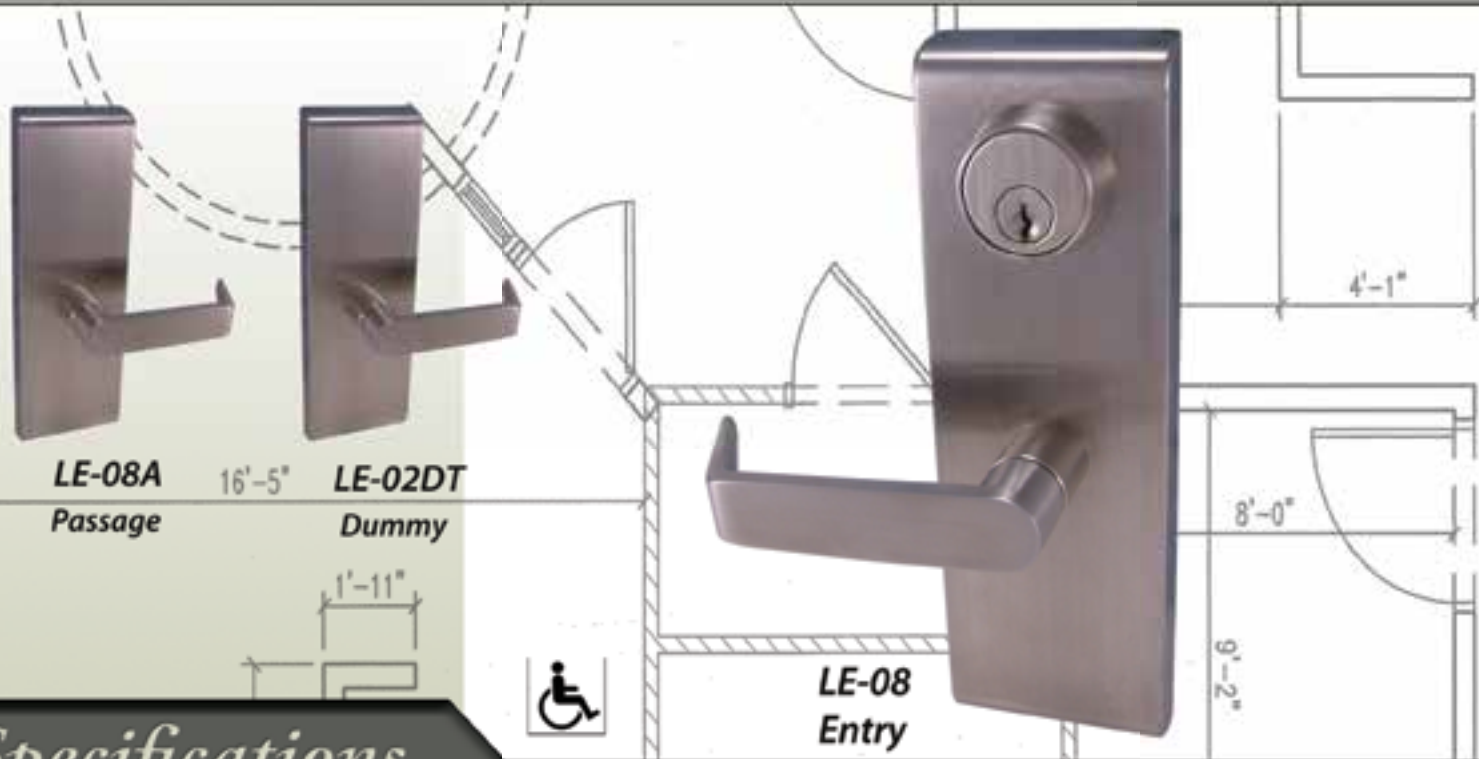


LE Trim

Heavy Duty Lever Escutcheon Trim



Specifications

ANSI : ANSI A156.3, Grade 1

ADA : Meets ADA requirements ANSI A117.1

Construction : Steel, Zinc Dichromated Chassis - Stainless Steel Exterior Housing

Application : Heavy Duty trim option for use with all 1000 & 2000 series exit devices

Mounting : Thru bolted design thru bolts to head of exit device

Spindle : 5/16" Square, Steel - Machined & Heat Treated

Lever : 5" Solid Stainless Steel lever - 2 7/8" total projection

Lever Designs : Flat (standard, shown above) Curved lever available in US32D only

Escutcheon : 3" Wide x 9" Height x 3/4" Projection - Will cover 161 door prep

Handing : Non-Handed, Field selected at the time of installation

Door Thickness : 1 3/4" standard- Thick door kits available for 2" thick doors

Functions : 02DT Dummy, 08 Entry (convertible to 03NL - Night latch), 08A Passage

Fasteners : Includes thru bolt posts and 1/4"-20 machine screws for installation

Standard Cylinder : 1 1/8" Mortise Cylinder with std. cam (included) - 6 Pin Brass, C Kwy, with 2 Keys

Optional Cylinders : 1 3/8" Mortise cylinder housing for 6 or 7 pin Small format IC core (less core)

Optional Keyways : 11 Popular competitor keyways available with replacement cylinders

Finishes : US3, US4, US10B, US26, US32D (Type 304SS standard) (Marine Grade 316SS option)

Accessories : 1/8" Cylinder collar spacer rings - (2 are supplied with IC housings)

Electrified Options : 12 or 24 Volt (AC/DC) Fail Safe (Electrically Locked), Fail Safe (Electrically Unlocked)

Warranty : Limited Lifetime Warranty



211 Endeavor Drive - PO Box 680
Rogersville, MO 65742
PH 877-258-1262 FX 877-888-0150
www.designhardware.net