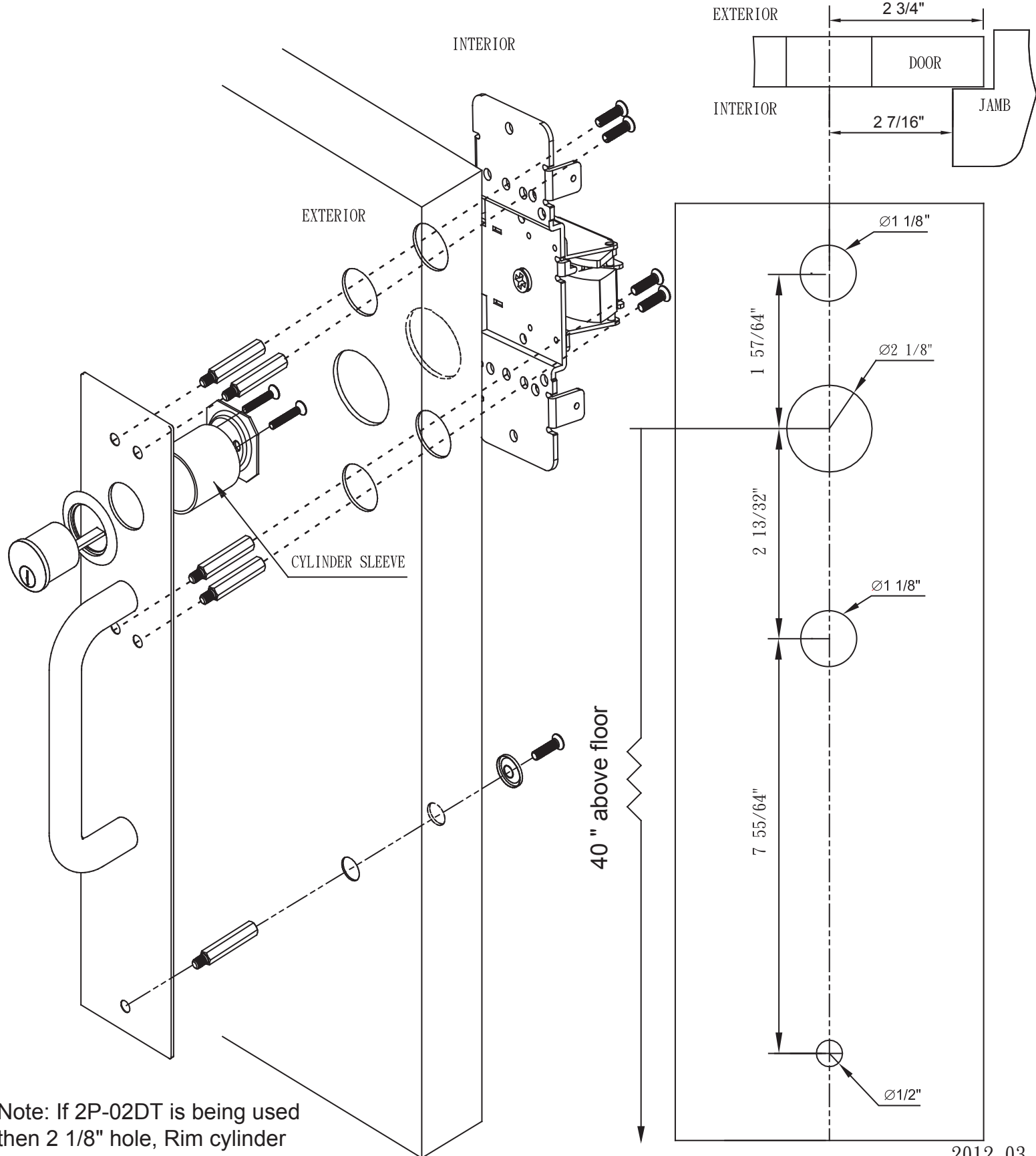


# 1000 SERIES PULL TRIM INSTALLATION INSTRUCTIONS

( For doors with 2 1/8" hole/161 prep requiring cylinder sleeve )

2P-03NL-PULL WITH CYLINDER HOLE  
2P-02DT-PULL WITHOUT CYLINDER HOLE

**NOTE:**  
Backset of 2 7/16" from jamb to center or 2 3/4" from door edge to center is acceptable. Strike shim can be used or not used to make adjustments to the roller strikes projection to compensate for doors with different backsets.



Note: If 2P-02DT is being used then 2 1/8" hole, Rim cylinder and cylinder sleeve are not used.