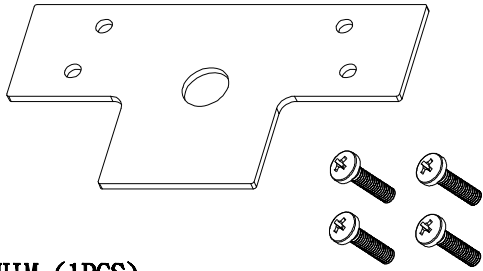


SHIM KITS FOR 2000V / F2000V SERIES

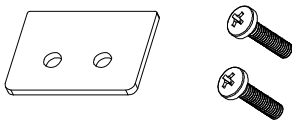
A IDENTIFICATION OF PARTS.

①



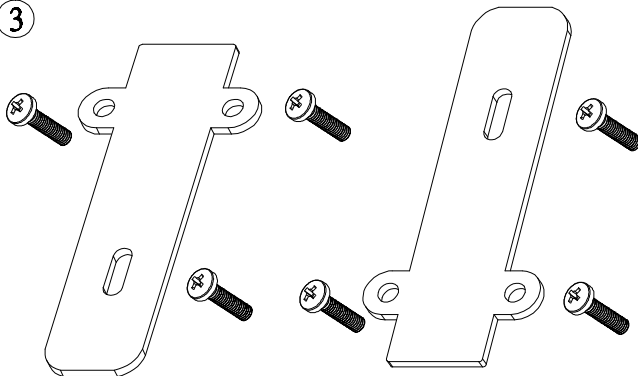
SHIM (1PCS)
AND 1/4"x1" ROUND HEAD SCREWS (4PCS)
FOR HEAD ASSEMBLY

②



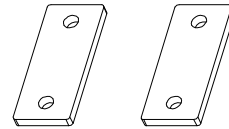
SHIM (1PCS)
AND 1/4"x1" ROUND HEAD SCREWS (2PCS)
FOR END COVER.

③



SHIM (2PCS)
AND 1/4"x1" ROUND HEAD SCREWS (6PCS)
FOR TOP AND BOTTOM LATCH UNIT.

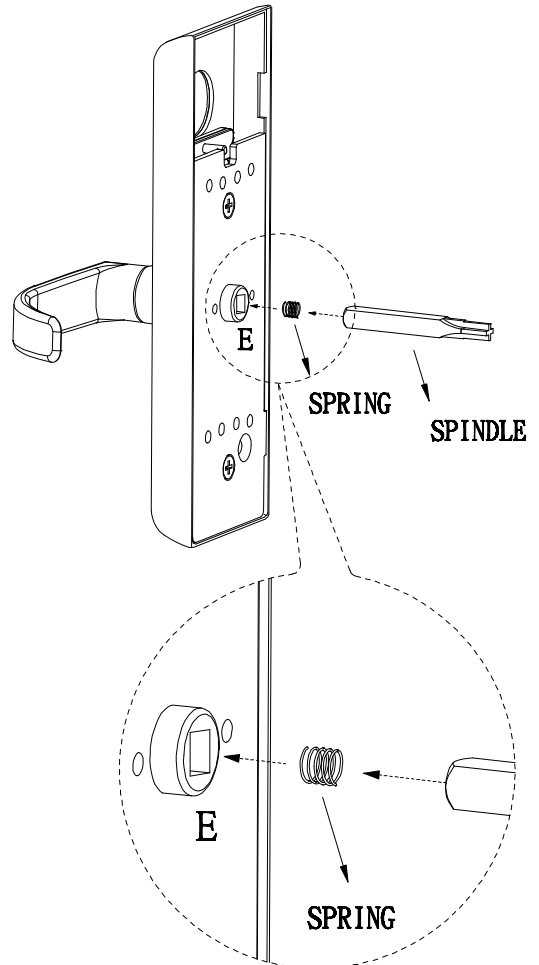
④



SHIM (2PCS) FOR 2 ROD GUIDES.
(TO USE THE ORIGINAL 4 WOOD SCREWS
OR SELF-TAPPING SCREWS SUPPLIED
WITH 2000V/F2000V EXIT DEVICE)

⑤

3/4" SPRING (1PCS)
FOR LE-08-2, LE-08A-2
LEVER ESCUTCHEON TRIMS.



B HOW TO USE SHIM KITS.

- ① If an exit device is installed on a door with a window frame, it requires a shim to offset the height of the window frame.
- ② If the shim is used, the original screws supplied with the exit device may not be long enough. Please use the longer screws included with this shim kit.
- ③ If using the LE-08-2 or LE-08A-2 lever escutcheon trims, please put the spring into hole "E" and insert the spindle. This will insure proper engagement with the exit device.
- ④ Each shim kit is 1/8" in thickness. If 1/4" thickness is required, please use 2 sets of shim kits stacked together.