

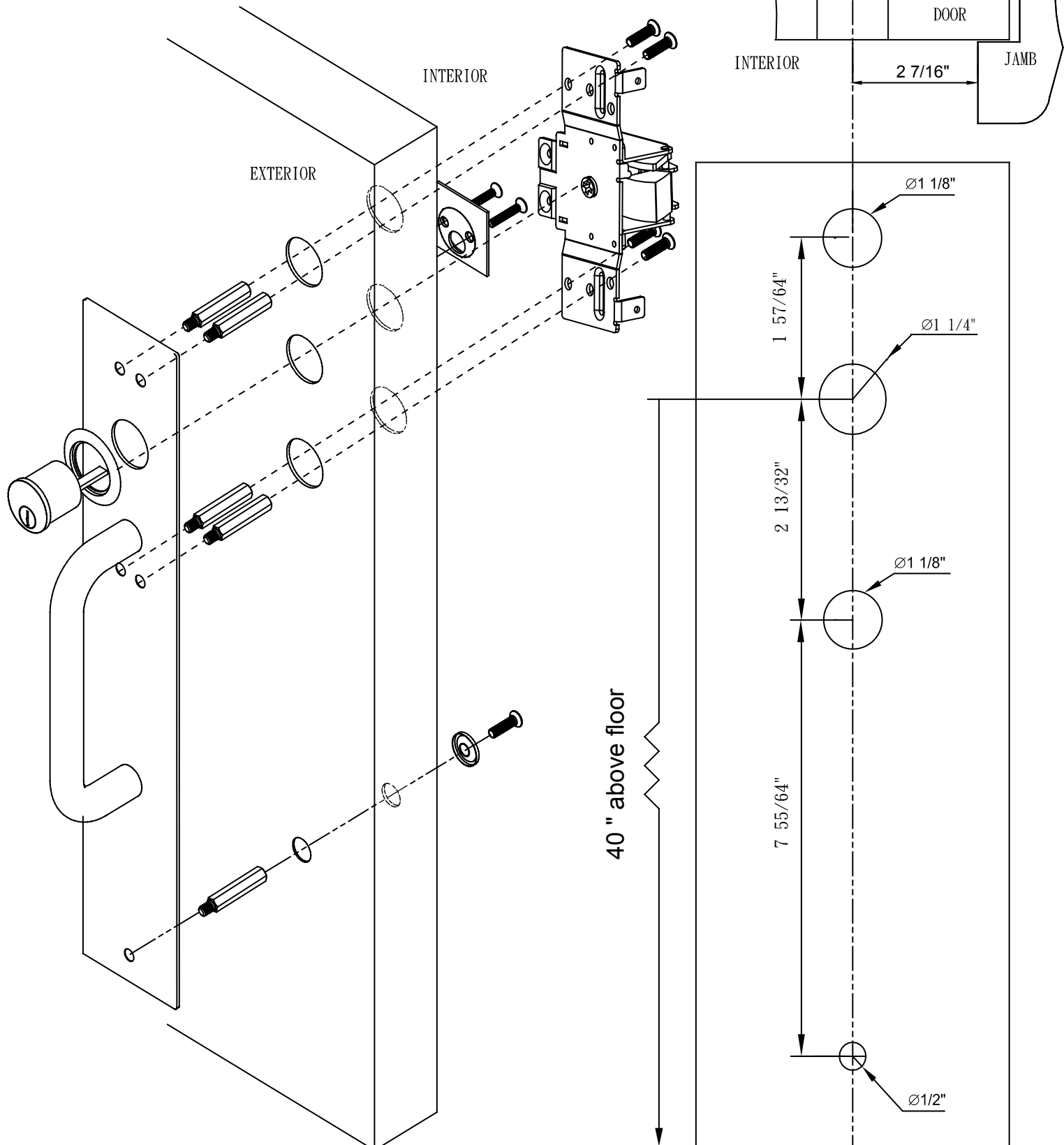
2000 SERIES PULL TRIM INSTALLATION INSTRUCTIONS

2P-03NL-PULL WITH CYLINDER HOLE

2P-02DT-PULL WITHOUT CYLINDER HOLE

NOTE:

Backset of 2 7/16" from jamb to center or 2 3/4" from door edge to center is acceptable. Strike shim can be used or not used to make adjustments to the roller strikes projection to compensate for doors with different backsets.



Note: If 2P-02DT is being used then 1 1/4" hole and Rim cylinder are not used.