

TEMPLATE(C)

Double Door Strike for 2000 Series Template



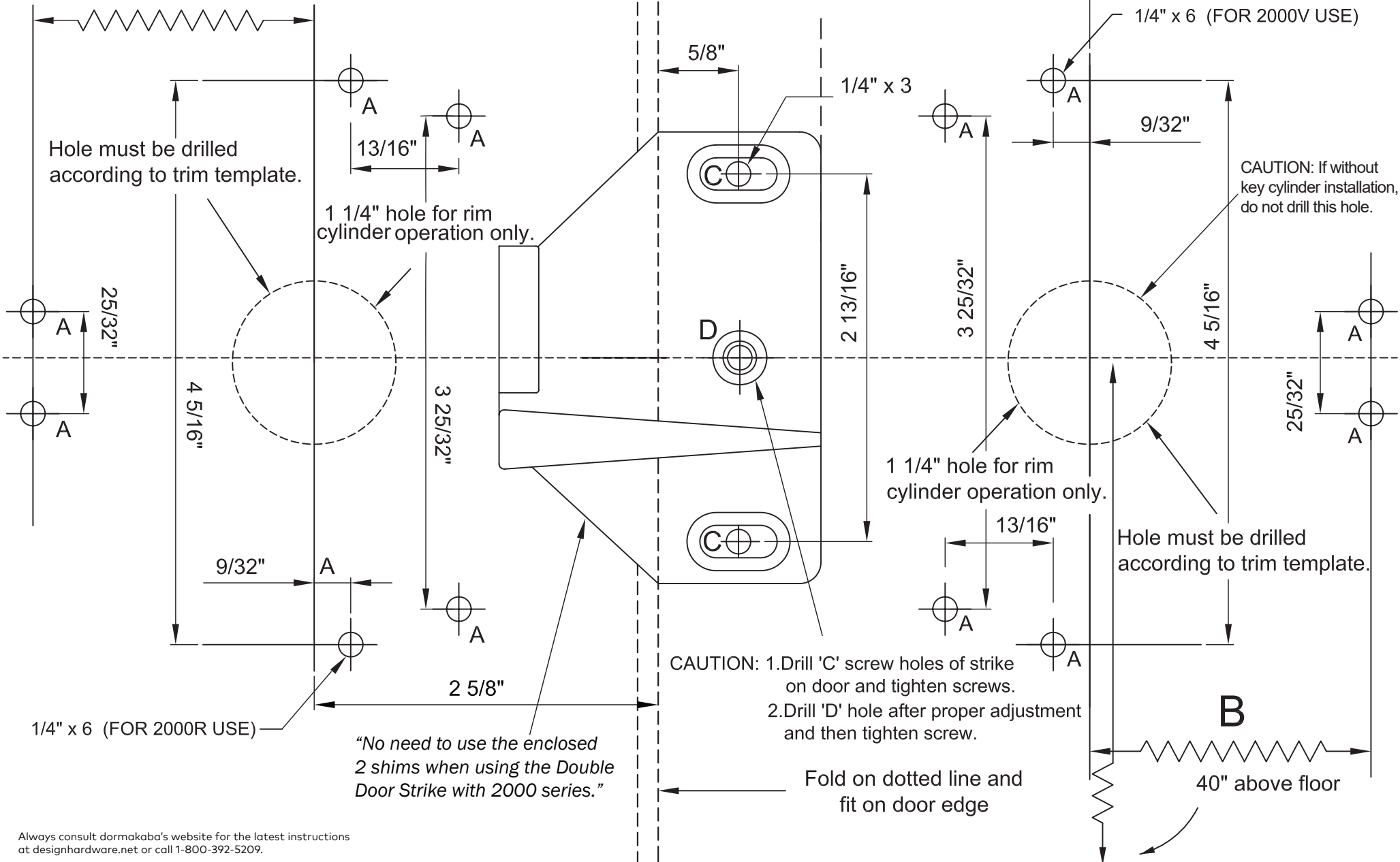
FOR 2000R USE

FOR 2000V USE

Fold on dotted line and fit on door edge

3 9/32"

B



Hole must be drilled according to trim template.

1 1/4" hole for rim cylinder operation only.

1 1/4" hole for rim cylinder operation only.

CAUTION: If without key cylinder installation, do not drill this hole.

CAUTION: 1. Drill 'C' screw holes of strike on door and tighten screws.
2. Drill 'D' hole after proper adjustment and then tighten screw.

"No need to use the enclosed 2 shims when using the Double Door Strike with 2000 series."

Fold on dotted line and fit on door edge

Hole must be drilled according to trim template.

40" above floor