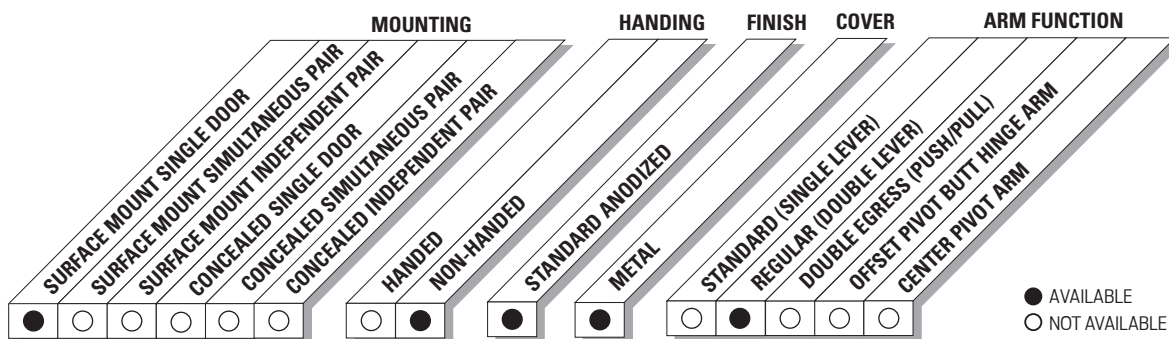


The 9140 BENCHMARK by LCN is an electrically powered low-energy operator. It provides easy access for people with disabilities, or the elderly. Designed primarily for automatic opening applications that occasionally require manual opening. The BENCHMARK is a cost-effective solution for retrofitting an activated or manual door.

Certifications	Grade 1 - ANSI A156.19, UL325/228, ADA, 100 Hour Salt Spray, Meets BAA - Buy American Act	Fasteners	Wood and machine screws
Handing	Non-Handed	Mounting	Single interior door, surface mount, offset pivot / butt hinge (Push Side)
Door Width	<ul style="list-style-type: none"> ■ 26" - 48" ■ 26" minimum door width for 27" ■ 36" door width only for full length pull operator 	Arms	Regular arm
Warranty	2 years	Finishes/Colors/ Powder Coat	<ul style="list-style-type: none"> ■ Anodized aluminum, standard ■ Dark bronze, optional

**Special
Templates**

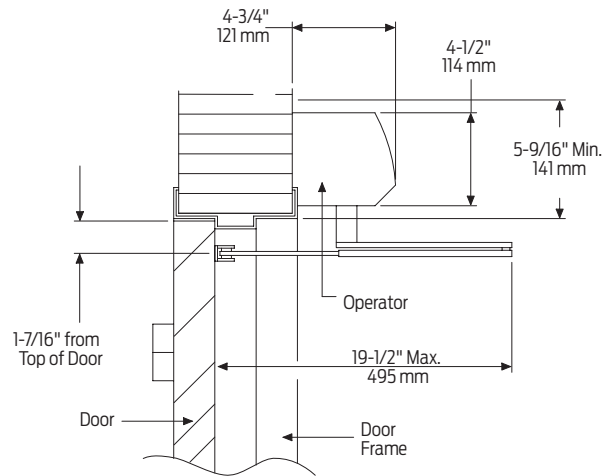
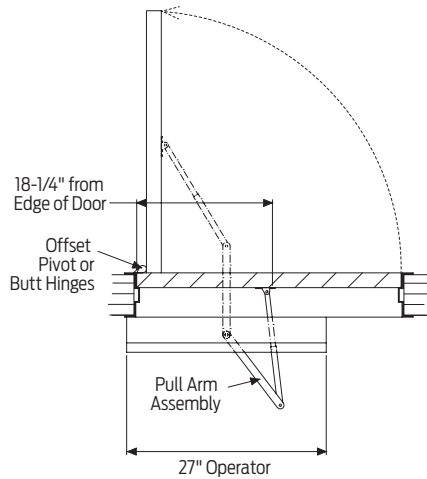
Customized installation templates or products may be available to solve unusual applications. Contact LCN Product Support for assistance.



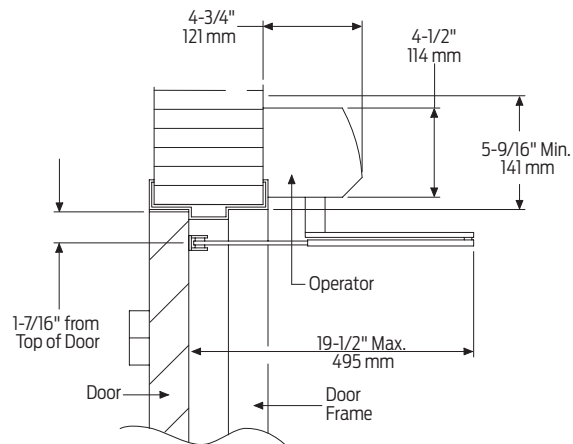
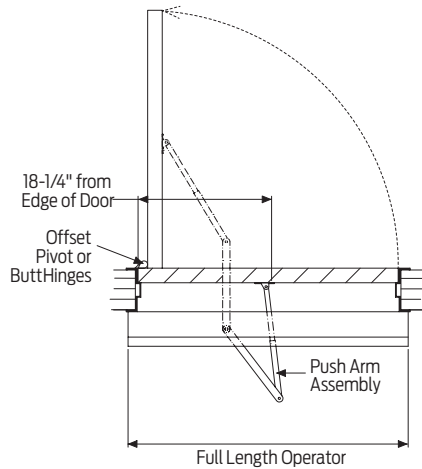
9140 Series Benchmark

Mounting details

Top Jamb Single Door Mounting



Offset/butt hinge, center pivot, push, standard cover



Offset/butt hinge, center pivot, push, full cover

Butt Hinges	Should not exceed 5" (127 mm) in width
Reveal	Push installations should not exceed 6" (152 mm) for REGULAR ARM and 9-3/4" (248 mm) for LONG ARM
Head Frame	Minimum 2" (51 mm)
Top Rail	<ul style="list-style-type: none"> Minimum 2" (51 mm) Flush ceiling installation requires 5-1/4" (133 mm) minimum
Opening and Closing Time	<ul style="list-style-type: none"> Variable by adjustments to the electronic control module located on the operator assembly Maximum hold open time adjustable up to approximately 30 seconds
System Diagram	See "AUTOMATIC OPERATORS" section pages 54 for typical system wiring and page 55 for electrical data
Maximum Opening	Template allows 90 degree power opening and 90 degree manual opening

Notes:

- Push 'N Go permits non-switch activation with a microprocessor control box that ensures reliability and maintains customer settings
- Power boost allows for increased closing force near latch
- On/off switch is included as standard
- All potentiometers are clearly labeled with their functions
- LED lights indicate power to control box and motor gearbox

Motor Gearbox



9140-3454S
Motor Gearbox Assembly

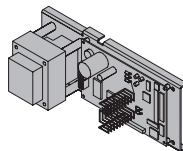
- Driving mechanism for operator (switch included)
- For 27" unit



9140-3454
Motor Gearbox Assembly (W/O Switch)

- Driving mechanism for operator (switch not included)
- For full length unit (36")

Control Box



9130-3462
Control Box (120v)

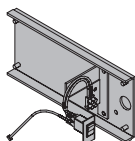
- Electronic controlling device with power supply output and power boost feature for Benchmark

Brackets



9140-3018
Mounting bracket

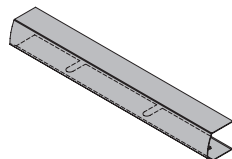
- Standard



9140-3351-1
Switch Bracket

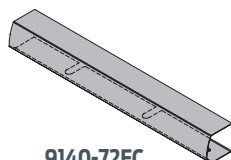
- 29" cable
- Used with a 36" door
- Used to locate switch at end of cover on full length unit

Covers



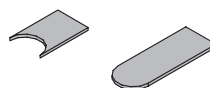
9140-72MC
Metal Cover

- Non-handed
- 27"
- Extruded aluminum cover
- Standard



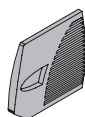
9140-72FC
Full Metal Cover

- Non-handed
- 36"
- Extruded aluminum cover



9140-163
Cover Insert

- Used to cover operator shaft opening (includes 2 pieces)



9140-163-1
Cover End Cap Insert

- Used to cover switch hole opening



9140-334
Cover End Cap

- Black plastic
- Includes 9130-163-1 cover and cap insert

**9140
Series
Benchmark**

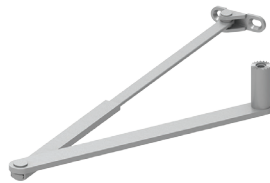
Accessories

Arms



9140-3077
Regular arm

- Non-handed



9140-3077L
Long push arm

- Non-handed



9140-79
Rod and shoe

- For use with regular arm



9140-79LR
Long rod and shoe

- Used with long arm, for deep reveals

How-to-order 9140 Series closers

Specify Finish

- Standard Anodized Finish _____
Aluminum or Dark Bronze

Operator options

Cover

- 36" Full Cover

Arm

- Long Arm (3077L) (reveals 6" to 9-3/4")

Operator will be shipped with:

- Standard motor gearbox
- Standard control box
- Mounting bracket
- 27" metal cover
- Standard arm (3077)
- Standard track w/track roller
- Wood and machine screw pack
unless options listed below are selected

Table of sizes



→ Indicates recommended range of door width for operator.

*NOTE: For All Benchmark Series.
30" minimum door width for 27" pull operator.
36" door width only for full length pull operator.*
