



941071-00

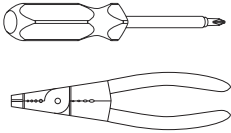
Electric Power Transfer (EPT)

# EPT2, EPT10, & EPT10C

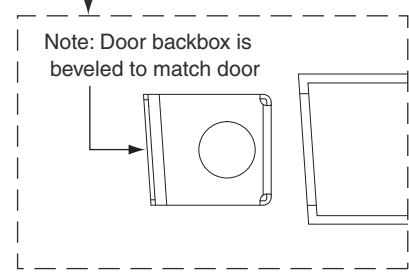
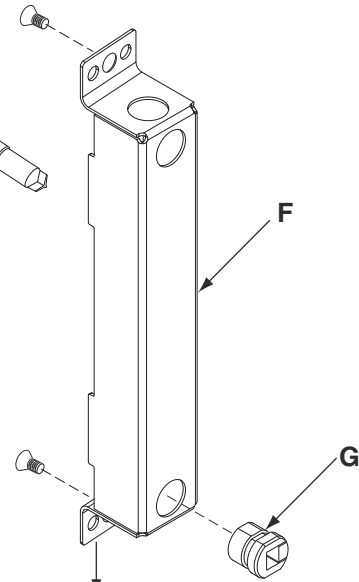
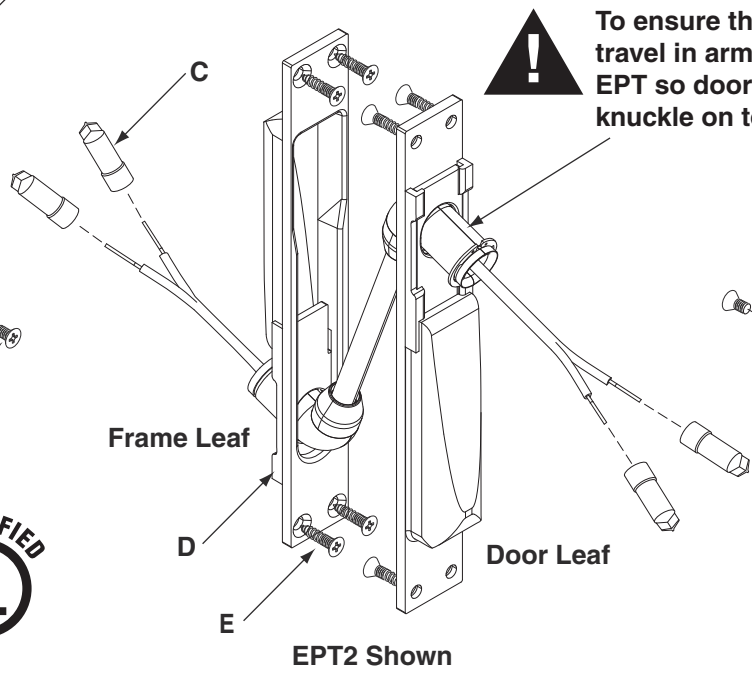
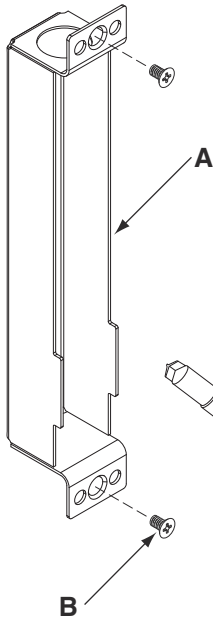
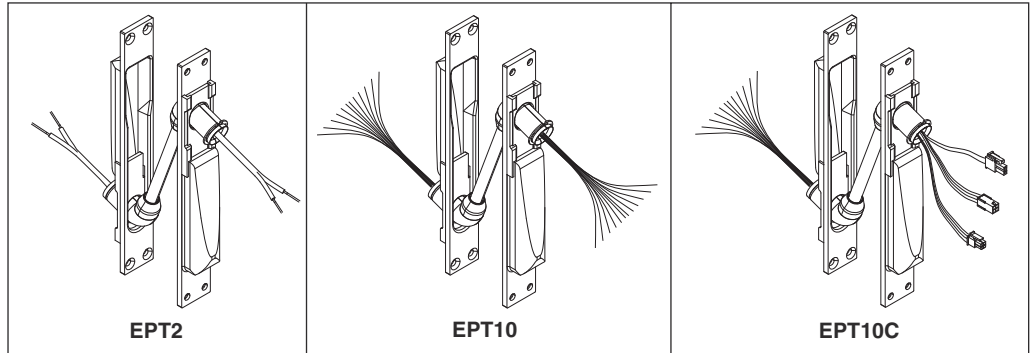
# VON DUPRIN®

Installation Instructions

### Tools for Install



## Read all Warnings Before Starting Installation!



- A. Frame Backbox
- B. Metal - #10-24 x 3/8" Flat Phillips Head Machine Screw (4)  
Wood - #10 x 3/4" Flat Phillips Head Wood Screw (4)
- C. EPT2 - Wire Connectors 12 Gauge Yellow (4)  
EPT10 - Wire Connectors 18 Gauge Violet (20)  
EPT10C - Wire Connectors 18 Gauge Violet (20)
- D. EPT Assembly
- E. Metal - #10-24 x 3/4" Flat Phillips Head Machine Screw (8)  
Wood - #10 x 3/4" Flat Phillips Head Wood Screw (8)
- F. Door Backbox
- G. Strain Relief



**Customer Service**  
1-877-671-7011    www.allegion.com/us

## General Information

An electric power transfer (EPT) provides a wiring path from the door to the frame.

These instructions assume that a factory-prepped door and frame are being used. If the door and frame have not been factory-prepped, see the included dimensioned template.

Before beginning the installation, review "Specifications" and "Warnings".

## Specifications

### Applications

EPT **can** be used for:

- Door Thickness - 1-3/4" minimum  
**Note: The following specifications apply to a 1-3/4" thick door.**
- 0 - 180° opening with up to 5" butt hinges
- 0 - 180° opening with up to 3/4" offset pivots
- 0 - 130° opening with 5-1/2" butt hinges
- 0 - 110° opening with 6" butt hinges

EPT **cannot** be used for:

- 1-1/2" offset pivots
- larger than 6" butt hinges
- pocket pivots
- swing clear hinges
- center hung door (center pivot)
- balanced door

### Electrical Ratings

EPT2

- Two 18AWG wires
- Max. Rating: 24VDC, 5A or 120VAC NEC Class 3

EPT10 & EPT10C

- Ten 24AWG wires
- Max Rating: 24VDC, 1A

## Read all Warnings Before Starting Installation!



Do not exceed rated specifications (shown above).



EPT must be installed in accordance with these instructions by a qualified electrician.



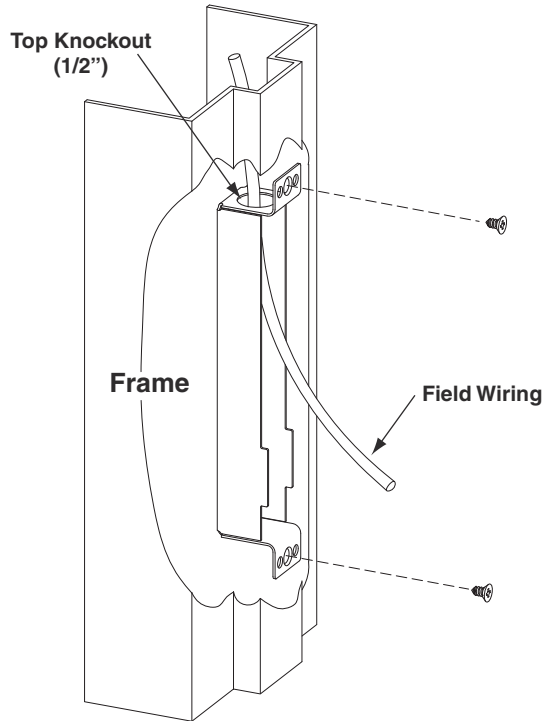
Wiring must be in accordance with all local codes and regulations.

# Installation

## 1 Use Template from Back Page to Verify Preparation

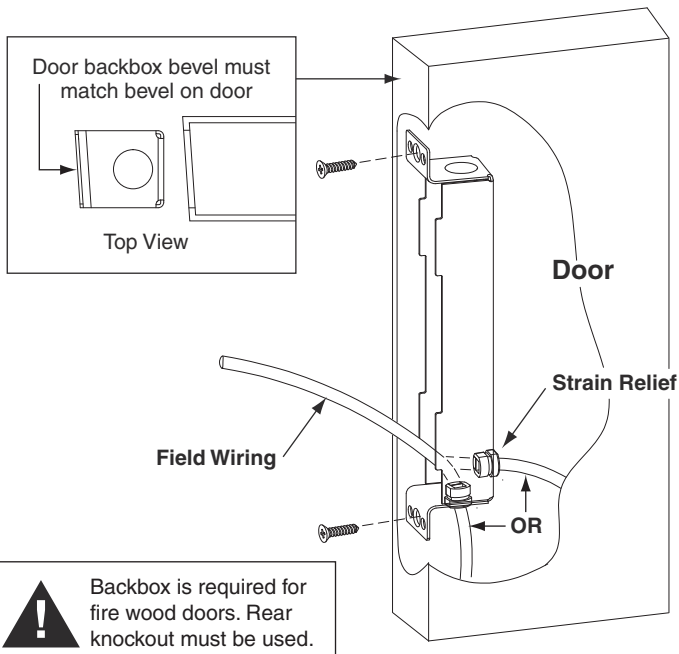
## 2 Mount Frame Backbox

- Remove knockout from top
- Install 1/2" conduit, if used
- Pull 5" of field wiring through knockout



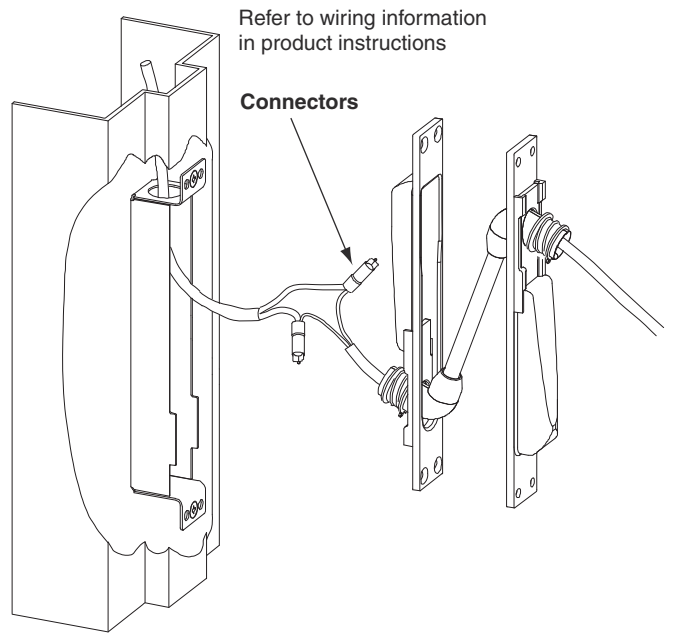
## 3 Mount Door Backbox

- Ensure backbox bevel matches door bevel
- Remove knockout:
  - from bottom for **metal** doors
  - from back for **wood** doors
- Pull 5" of field wiring through knockout
- Install strain relief

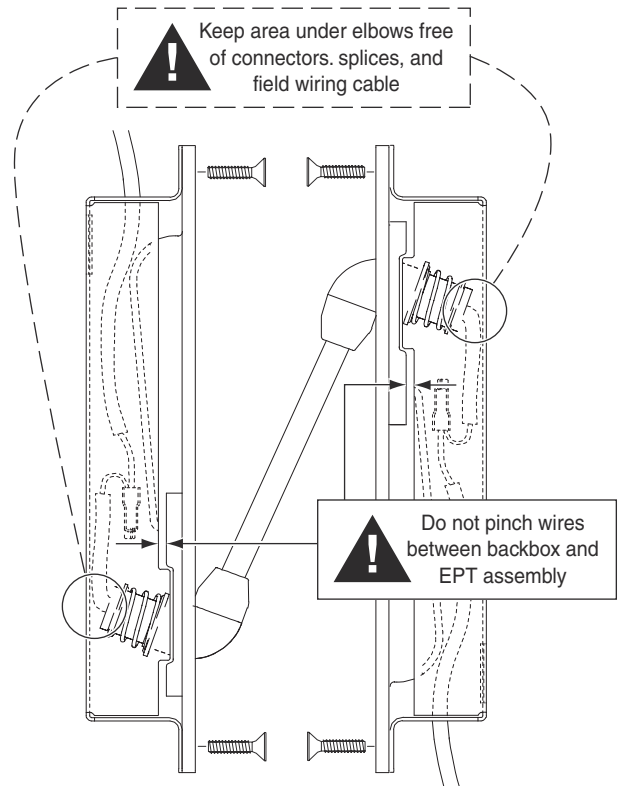


**!** Backbox is required for fire wood doors. Rear knockout must be used.

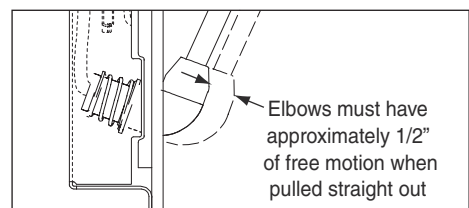
## 4 Connect Wires



## 5 Mount EPT Assembly

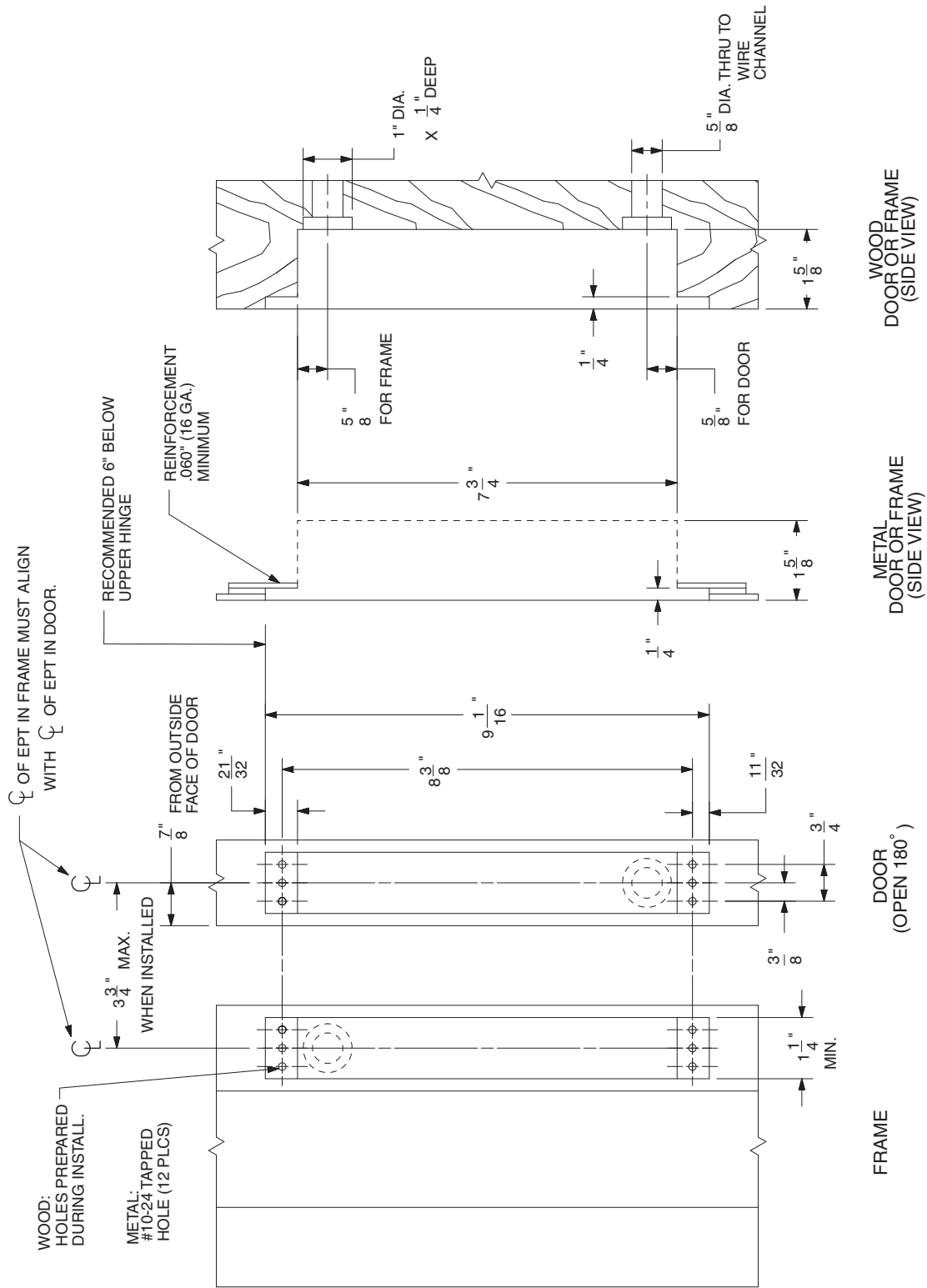


## 6 Verify that door opens and closes properly without binding and that electrical components function



# Template

**Note:** This drawing is not to scale



\*ALL DIMENSIONS ARE TYPICAL