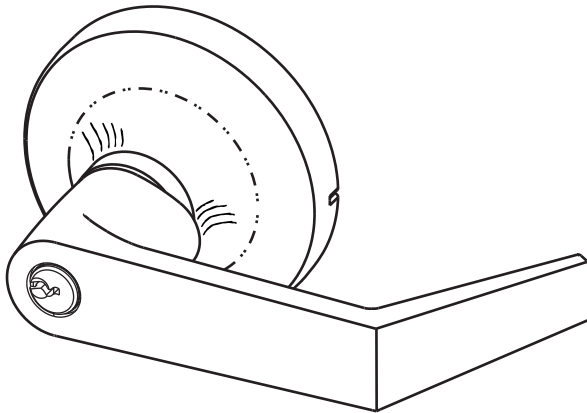


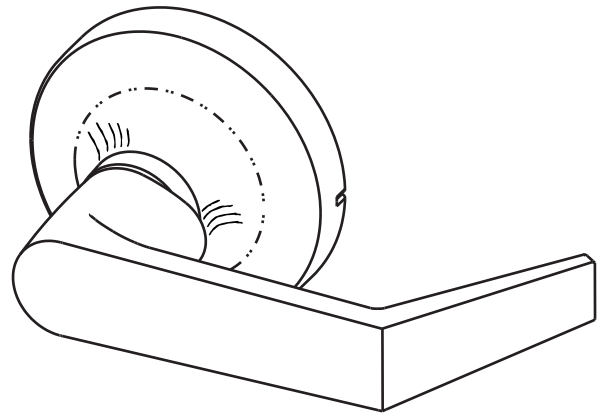


# 440F Series Exit Device Trim Installation Instructions

For use with Yale® Exit Devices (Wood and Metal Doors)



**441F & 446F  
Non-Handed**



**448F & 449F  
Non-Handed**

Sectional Lever Trim				
LEVER TYPE	TRIM	FUNCTION	DESCRIPTION	REMARKS
Key In Lever	441F	F03 (NL)	Key retract bolt(s)	Free wheeling lever
	446F	F08	Key locks/unlocks lever	Free wheeling lever
Plain Lever	448F	Passage	Lever retracts bolt(s)	Lever always active
		F02	Dummy trim*	Free wheeling lever
	449F	F02	Dummy trim	Rigid lever

\*Field Prep: Cut tailpiece off, not to engage the device.

### Attention Installer

Any retrofit or other field modification to a fire rated opening can potentially impact the fire rating of the opening, and Yale Locks & Hardware makes no representations or warranties concerning what such impact may be in any specific situation. When retrofitting any portion of an existing fire rated opening, or specifying and installing a new fire-rated opening, please consult with a code specialist or local code official (Authority Having Jurisdiction) to ensure compliance with all applicable codes and ratings.

ABBREVIATION	FASTENER DESCRIPTION
PPHMS	PHILLIPS PAN HEAD MACHINE SCREW
PTHMS	PHILLIPS TRUSS HEAD MACHINE SCREW

All dimensions are in inches (mm) unless otherwise noted.



# Installation Instructions

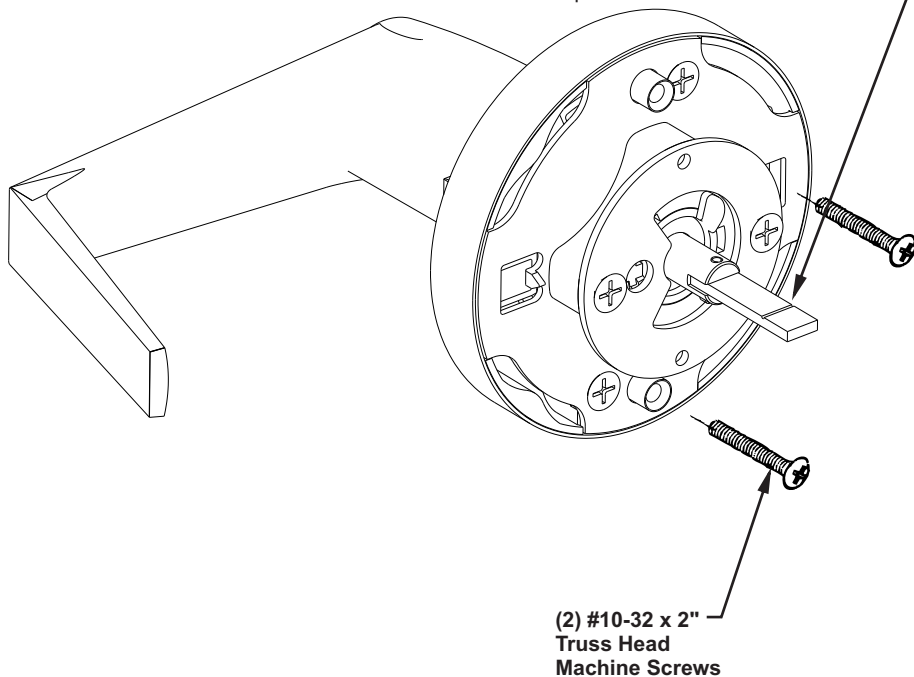
1. Check box contents.
2. After marking door inside face for device location (Device Instructions), transfer "Vertical Reference Centerline" from inside to outside door face. Follow steps 2a and 2b, at right.
3. Transfer "Horizontal Reference Centerline" from inside to outside door face.
4. Orient and align trim template, attach with tape to outside door face.
5. Spot holes and prepare door for trim.
6. Adjust trim for door thickness (as reqd).
7. Mount trim to door thru holes "B" with (2) #10-32 x 2" PTHMS supplied as shown in Fig. 1.  
**Note:** If installing dummy trim, continue as shown in device instructions.
8. If required, cut trim tailpiece as shown in Fig. 2. Seat device so that the trim tailpiece penetrates cam slot as shown in Fig. 1. Thru mount device to trim thru holes "A" as shown in Fig. 1 using 1/4-20 PPHMS supplied with device.
9. Continue as shown in device instructions.

## INSTALLATION INSTRUCTIONS - RHR Shown\*

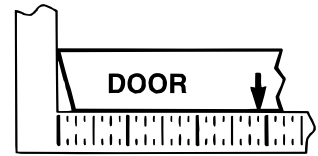
- \* - Trim Assembly shipped non-handed, rotate assembly 180° for use with LHR application.

### Tailpiece

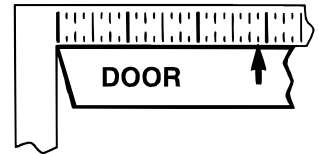
For thick door applications use 60-1500-1819-059 (Ordered Separately) secure with pin



(2) #10-32 x 2"  
Truss Head  
Machine Screws



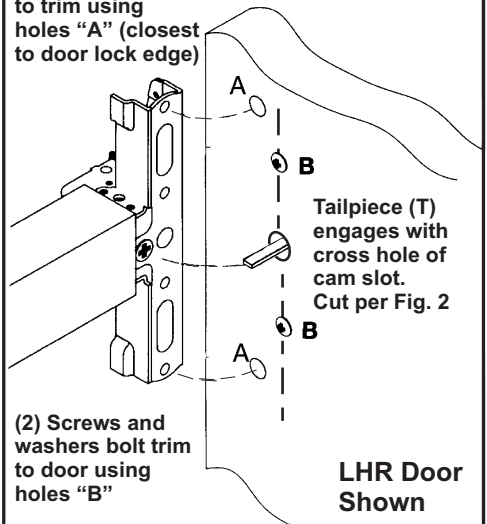
2a. MEASURE INSIDE  
LINE LOCATION.



2b. TRANSFER DIMENSION  
TO OUTSIDE FACE.

Figure 1

Device is bolted to trim using holes "A" (closest to door lock edge)

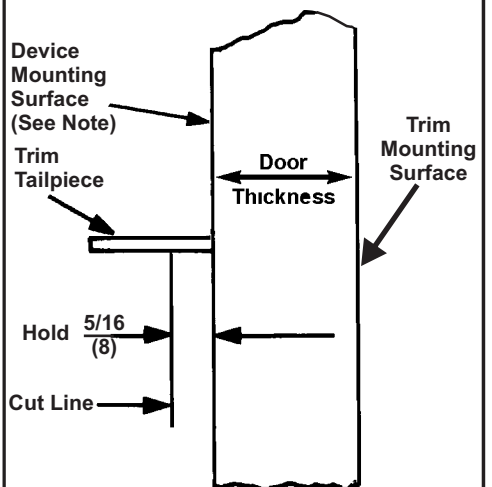


Tailpiece (T) engages with cross hole of cam slot. Cut per Fig. 2

(2) Screws and washers bolt trim to door using holes "B"

LHR Door Shown

Figure 2: Tailpiece Sizing



**NOTE:** Measure from device mounting surface (door face or shim surface)

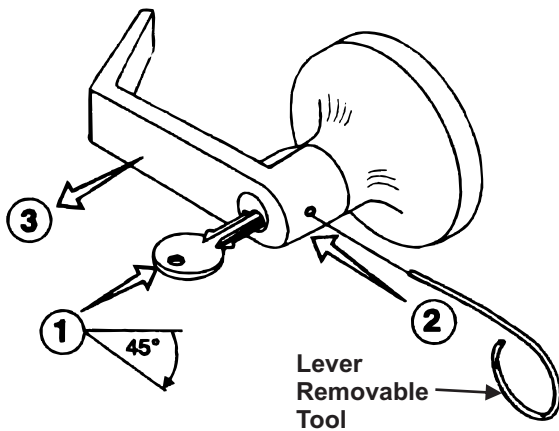
# Standard Cylinder

Each 441F and 446F Standard Trim is supplied with one Yale® 1802 6-pin random keyed cylinder, and (2) keys. This lever can fit any Yale 6-pin (1802, 5802) cylinder.

To re-key or exchange any of these cylinders, follow steps 3a or 3b shown below.

## Figure 3a. Lever Handle Removable

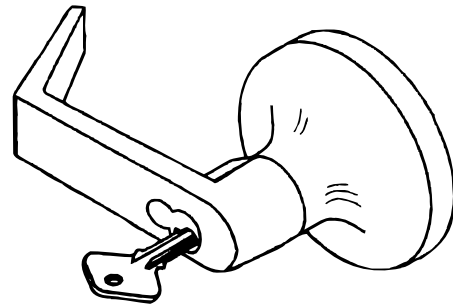
1. Insert Key & rotate clockwise 45°
  2. Depress retainer with tool supplied.
  3. Slide Lever off trim.
- (Reverse steps to re-assemble.)



## Figure 3b. Interchangeable Core Cylinders

Trim levers are specific for the cylinder core used. Levers are not removable. To remove and install the cylinder use the control key supplied with the cylinder.

**LFIC**, lever for 6-pin cores, 1210 and 5210.  
**SFIC**, lever for 6- or 7-pin cores

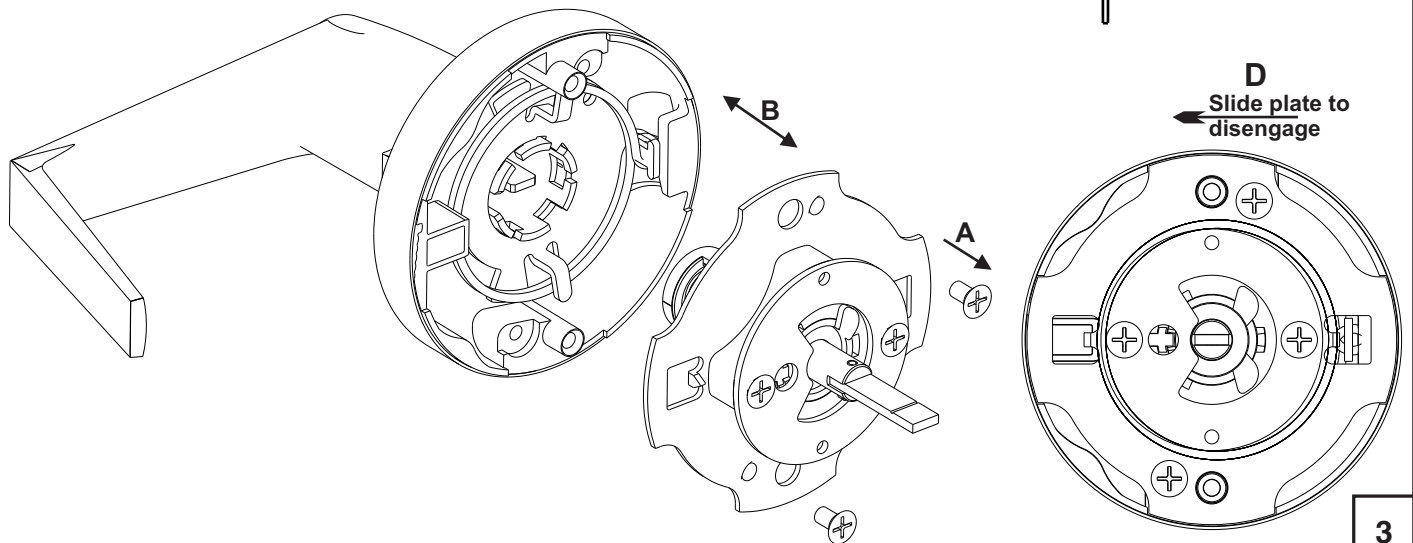
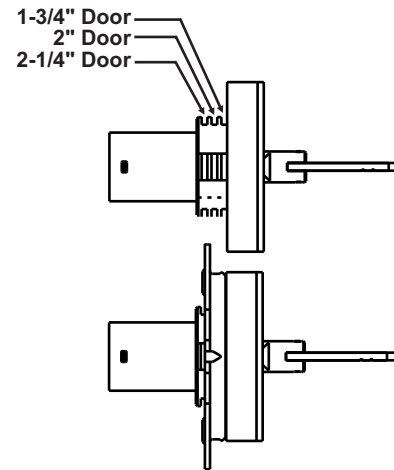


## Adjust lock for door thickness (If necessary)

(Lock is packaged preadjusted for 1-3/4" (44mm) thick doors.)

To adjust for a thicker door.

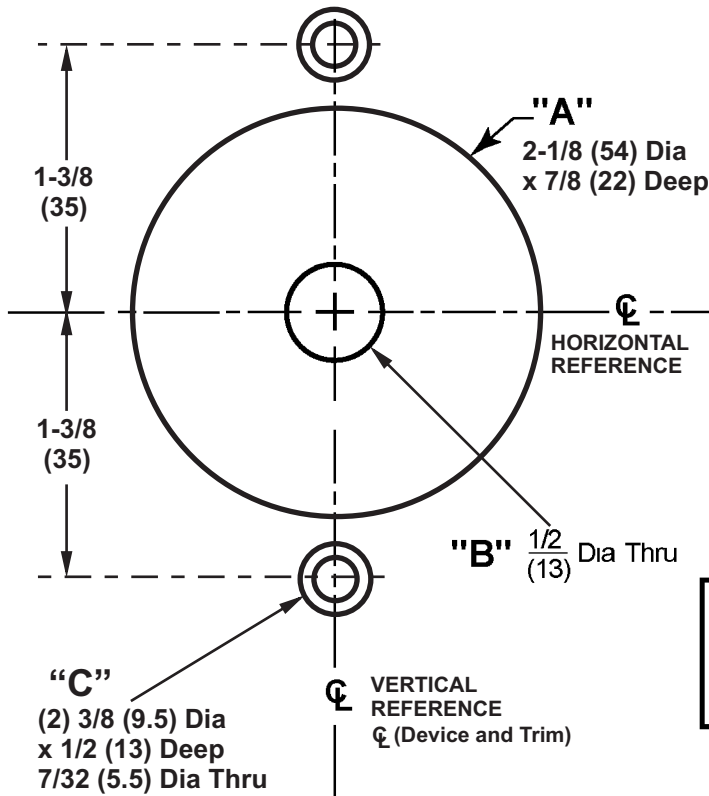
- A. Remove (2) screws from outside rose plate.
- B. Slide outside rose away from lock body.
- C. Adjust rose plate to desired door thickness per illustration below.
- D. Fasten outside rose to lock body with (2) screws.



# Outside Door Face Trim Template

**LHR TRIM**

TRIM	HOLES
441F, 446F, 448F, 449F	A, B, C
<b>For Holes Marked "X" See Below</b>	
<b>METAL DOORS:</b>	
Inside Face	5/16" (8) Dia.
Outside Face	1/2" (13) Dia.
<b>WOOD DOORS: 1/2" (13) Dia. Thru</b>	



**CAUTION:** Office copiers and facsimile machines may change the size of a drawing and make the template inaccurate to use as a door marker. If this is not the original template packed with the trim, use only the holes on the door (do not use template as a door marker).

Dimensions given in  $\frac{\text{Inches}}{(\text{mm})}$

**RHR TRIM**

## Yale Locks & Hardware

Product Support Tel 800.438.1951 • [www.yalelocks.com](http://www.yalelocks.com)

Yale Locks & Hardware is a division of Yale Security Inc., an ASSA ABLOY Group company.

Yale® is a registered trademark of Yale Security Inc., an ASSA ABLOY Group company. Other products' brand names may be trademarks or registered trademarks of their respective owners and are mentioned for reference purposes only. These materials are protected under U.S. copyright laws. All contents current at time of publication.

Yale Security Inc. reserves the right to change availability of any item in this catalog, its design, construction, and/or its materials.

Copyright © 2008, 2012 Yale Security Inc., an ASSA ABLOY Group company.

All rights reserved. Reproduction in whole or in part without the express written permission of Yale Security Inc. is prohibited.