

# 7140 Electric Strikes



HOLLOW  
METAL



WOOD



UL 1034  
BURGLARY  
LISTED



ELECTRIFIED  
PRODUCT

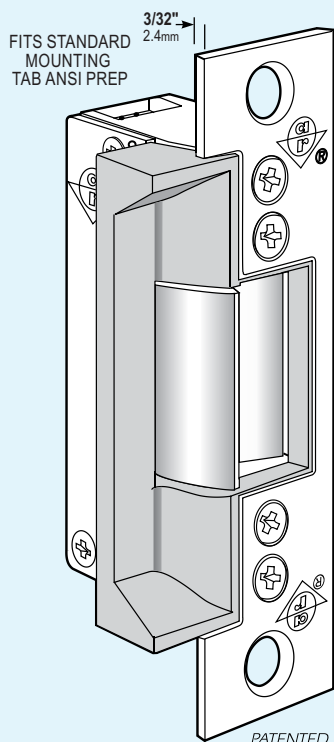


GRADE 1  
E09321

7140 Electric Strikes with 4-7/8" faceplates are designed for Adams Rite deadlatches or cylindrical locksets with 1/2" to 5/8" latchbolt projection. For use in hollow metal or wood doors and jambs.

## Function

Remote electrical control of any door equipped with an Adams Rite 4500, 4700, or 4900 Series (or similar) Deadlatch or cylindrical (key-in-knob/lever) type locksets with 1/2" to 5/8" latchbolt projection. Electrical actuation unlocks strike jaw, releasing latchbolt so door can be opened without operating latch itself. Extremely compact mechanism fits into aluminum jamb sections as shallow as 1-5/8". Fits existing prep for discontinued Adams Rite 7040, 7840N, 7850 Electric Strikes.



## Specifications

### FAIL-SAFE/FAIL-SECURE

- Field convertible from one mode to the other. However, AC intermittent solenoid must not be used continuously in either.

### CASE

- Approximately 1" x 3-3/8" x 1-5/8" deep.

### STRIKE LIP

- Basic 7140 strike has lip of proper length for 1-3/4" thick door that closes flush with jamb edge. Where door thickness or jamb shape differs from this standard relationship, lip extension kits are available, specified by last dash number.

### STRIKE OPENING

- 5/8" x 1-7/16" x 1/2" deep. Bolt retainer jaw is stainless steel. Strike accepts bolt of any Adams Rite 4500, 4700 (discontinued), or 4900 Deadlatch or cylindrical latches.

### FACEPLATE

- Measures 1-1/4 x 4-7/8". Faceplate is flat, with square corners. Available in a wide range of architectural finishes.

### VOLTAGE

- Available in 12 or 24 volt AC and DC. DC continuous units are silent, AC intermittent units "buzz" on operation.

### CURRENT DRAW/AMPS

VOLTS	AC INTERMITTENT	DC CONTINUOUS
12	1.42	0.33
24	0.74	0.17

### STANDARD PACKAGE

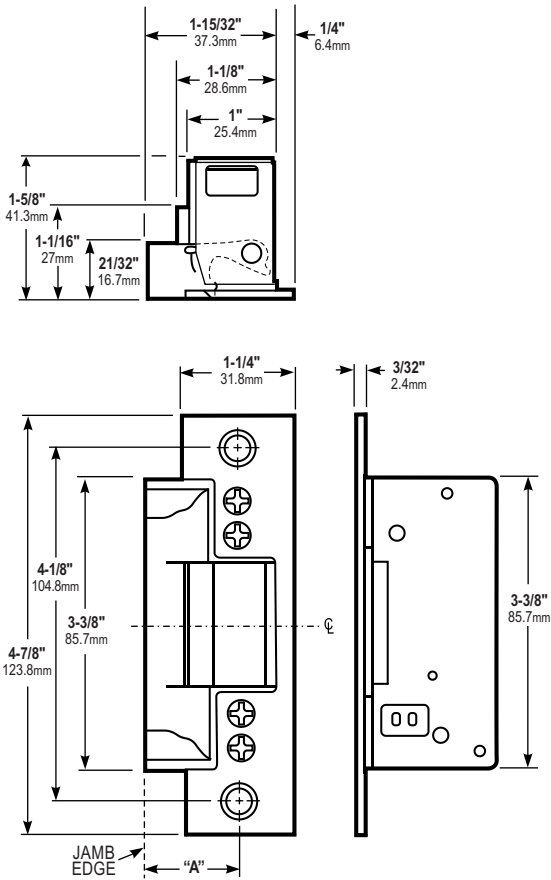
- Individually boxed with mounting screws. Includes mounting clips and adhesive shims for use where welded tabs are omitted.

### OPTIONS

- Choice of mounting in AC and DC for intermittent or continuous duty. 7140 Electric Strike (flat faceplate) available with extended strike lip. Specify assembled for either fail-secure (locked when unpowered) or fail-safe (locked when powered) operation, but can be field converted to the other mode.

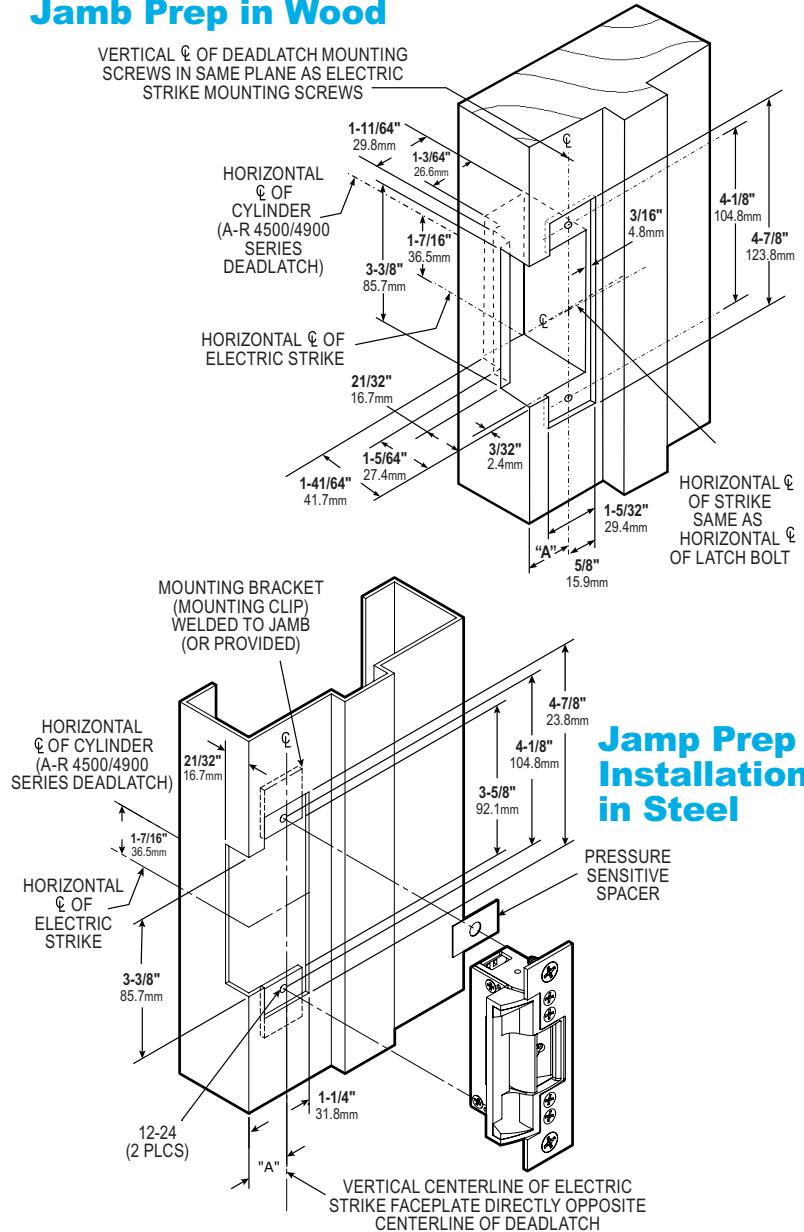
All measurements are approximate and are provided for informational purposes only. Refer to the product Installation Instructions.

### Dimensions



STANDARD UNIT FITS DIM. "A" UP TO 1-1/16"  
(SEE HOW TO ORDER)  
MOUNTING BRACKETS FURNISHED

### Jamb Prep in Wood



### HOW TO ORDER 7140 ELECTRIC STRIKE

Specify quantity and the following information. Order related products separately.

PRODUCT NO.	VOLTAGE	CURRENT AND DUTY	FEATURES*	FINISH	LIP EXTENSIONS (DIM. A) (Door Centerline to Jamb Edge)
<b>7140</b>	<b>-3</b>	<b>1</b>	<b>0</b>	<b>-628</b>	<b>-00</b>
	3 12 Volt	1 DC Continuous or Intermittent	0 Standard/Fail-Secure	313 Dark Bronze Anodized	00 1-1/16" or less
	4 16 Volt	4 AC Intermittent	5 Fail-Safe	335 Black Anodized	50 1-3/8"
	5 24 Volt			626 Satin Chrome	01 1-1/2"
				628 Clear Anodized	02 1-5/8"
					03 1-3/4"
					05 2"
					07 2-1/4"
					09 2-1/2"
					12 2-7/8"

\*Fail-secure can be field converted to fail-safe or vice-versa

### RELATED PRODUCTS

When purchasing this product, please consider the following related products, available separately:

#### Options

Lip extensions.

#### Power

4603 Rectifier, 4605/4606 Transformer, Piezo Horn audible indicator, PS-1.

#### Deadlatches

4500 and 4900 Series Deadlatches. Note that 4700 Deadlatch is discontinued and replaced by 4900 Deadlatch.