

8200 Series

The automatic operator that changes everything

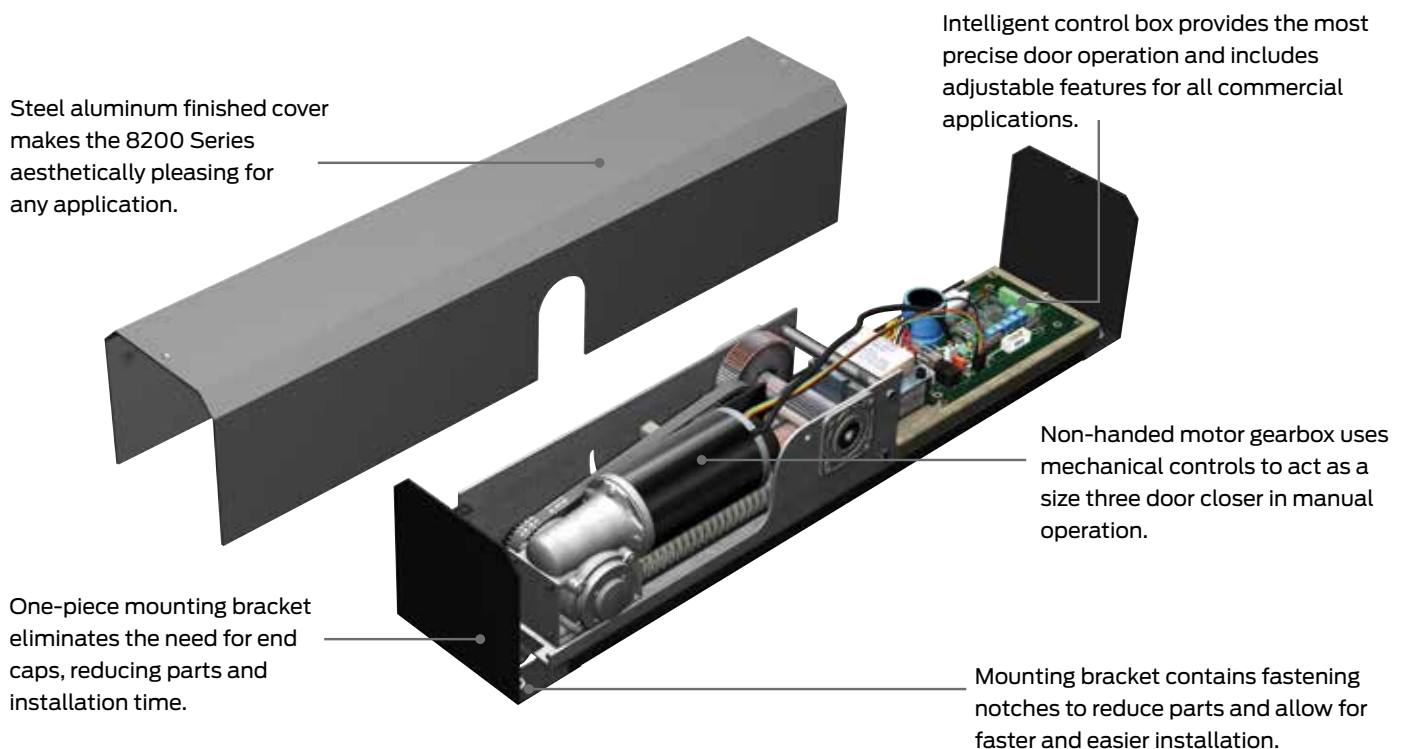
Beauty, value and versatility are now automatic

When you need a smart solution to improve accessibility the Falcon 8200 Series fits perfectly. Designed for applications like assisted living and ambulatory care, where ease of use is critical, the Falcon automatic operator provides dependable performance at an affordable price point. Everything you need is right in the box, making installation quick and simple. All necessary features are built right in, so configuring the closer is simple and you can easily make more openings more accessible than ever.

Designed to fit perfectly


The small footprint and elegant design of the Falcon 8200 Series make it a perfect solution for a range of applications.


• Assisted living • Hospitality • Retail • Small office • Restaurants • Ambulatory care








The Falcon 8200 Series automatic operator ensures smooth, convenient door opening for areas requiring easy accessibility and ADA compliance. This versatile device can also be easily integrated into electrified openings with our wireless accessory offering. Choose the 8231 for pull side or the 8242 for push side installation.


 **SmartLatch** – Senses and overcomes external pressure conditions with a graduated energy assist for secure latching.

 **Push ‘n’ Go** – Selectable feature allows door to open automatically as soon as it feels pressure.

 **Open position learning** – Automatically sets the opening position and detects obstructions to eliminate wall and door damage.

 **Pre-load strike assist** – Removes load on strike lip with a one second delay allowing the door to release and automatically open.

 **LED light illumination** – Light illumination on control box signals accurate installation and helps with connection diagnostics.

 **On board power supply (12 VAC)** – Powers actuators and receivers without the need to install an external power supply.

Specifications

Header length	26"
Mounting	Surface mount
Handing	Non-handed
Cycle tested	1 million gear box
Door weight	200 pounds

Consult technical services for use on doors over 200 lbs.

Adjustable features:

- Hold-open time delay
- Backcheck speed
- Backcheck/latch position
- Opening/closing speed

Actuators and accessories



8310-852T shown

6" Round – text with logo

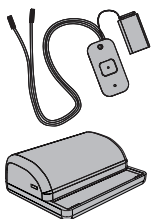
8310-852T	Push plate, wall mount
8310-869F	Mounting box, flush
8310-869S	Mounting box, surface
8310-802	Weather ring



8310-818T shown

1 1/2" x 4 3/4" Jamb – text with logo

8310-818T	Push plate, jamb mount
8310-819F	Mounting box, flush
8310-819S	Mounting box, surface

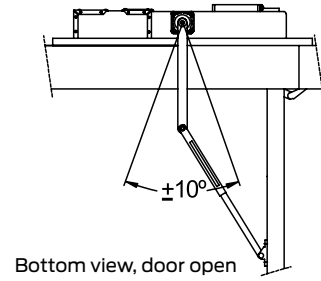
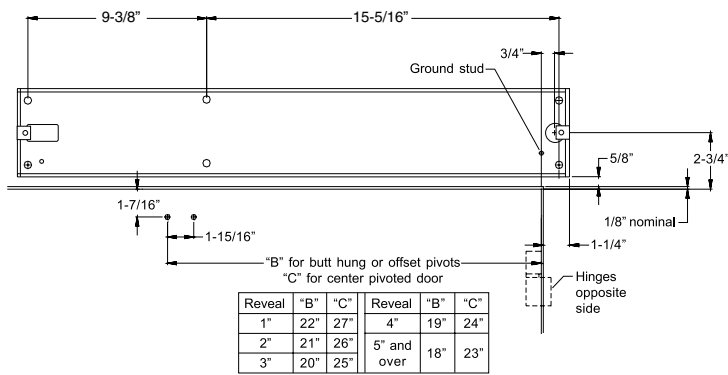


8310-844J and 8310-865 shown

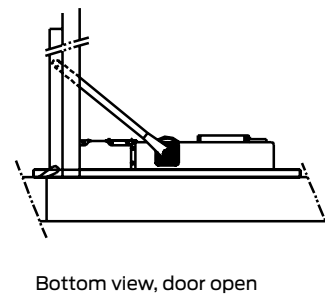
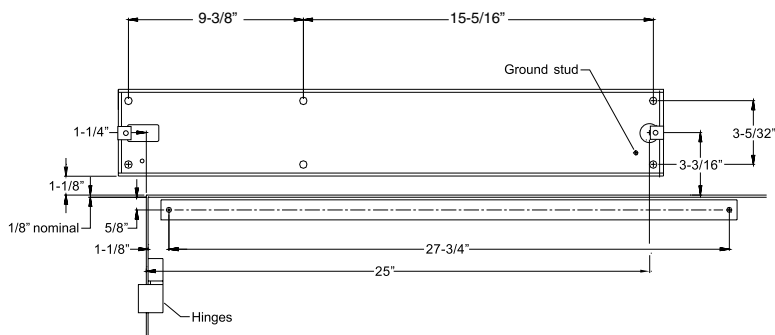
Wireless transmitters & receiver

8310-844	Transmitter, wall mount (to be used with 6" round wall mounted actuator)
8310-844J	Transmitter, Jamb mount (to be used with 1 1/2" x 4 3/4" jamb actuator)
8310-861	Transmitter, Handheld (single button wireless handheld transmitter)
8310-865	Receiver (wireless receiver with sequencing function)

26" Push system



26" Pull system



26" Drop system (push system only)

