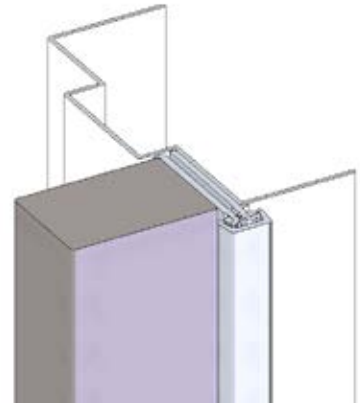




780 SERIES CONCEALED LEAF - 780-224* | 780-224HD* | 780-224LL - STANDARD DUTY, HEAVY DUTY OR LEAD LINED

SPECIFICATIONS

- Material: Aluminum 6063-T6
- Clearance: 5/16" (8 mm) hinge side plus standard lockside clearance
- Fasteners: Dril-Kwik® screws
- LL Fasteners: 1/2 Dril-Kwik® screws, 1/2 wood screws
- Length Options: Standard and custom lengths available
- Door/Frame Reinforcement: None required to 200 lbs., heavier weight use 16-gauge channel
- Optional Fire Rating: Up to 3-hour metal and 90 minute wood composite (with studs)
- Notes: See additional fire rating details on page 3



(Left hand shown)

FEATURES

- Standard duty for medium frequency doors. Heavy duty for high frequency doors or heavy, medium frequency doors. All for doors 1-3/4" (44 mm) thick.
- Lead lined model for hospital x-ray room doors with double row of screws to straddle lead (Specify "LL")
- Door edge protection lip
- Frame leaf alignment rib for proper hinge and door location
- 3/32" (2 mm) inset hinge and door location

Length		Fastener Count					
Inches	Millimeters	# For Door			# For Jamb		
		SD	HD	LL	SD	HD	LL
79	2007	15	15	32	15	15	32
83	2108	19	19	36	19	19	36
85	2159	19	19	36	19	19	36
95	2413	20	20	42	20	20	42
119	3023	23	23	48	23	23	48

