

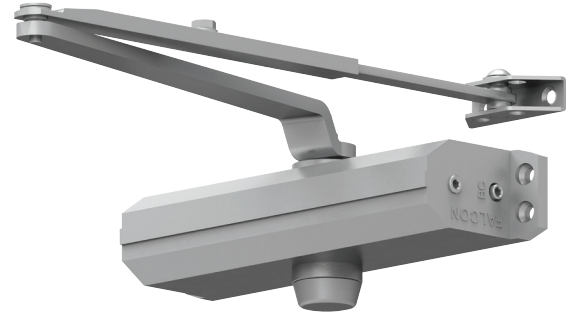
FALCON®

Surface mounted closer

SC60A Series

Overview

The SC60A Series is designed for light- to medium-duty applications, like a small business or office building. It is intended for interior use with aluminum storefronts and mixed-use complexes. It mounts three ways and features the most common hole pattern in the door control industry, making it ideal for a variety of retrofit needs.



Cylinder

SC61A-3017

Single piece cast aluminum cylinder assembly

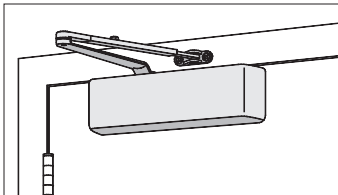
Handing

Non-handed

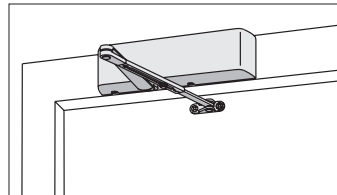
Sizing

Adjustable spring size 1-5

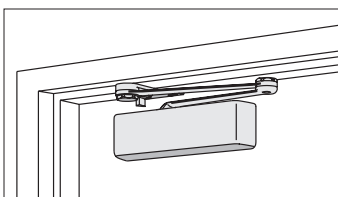
Mounting



Hinge (pull side)



Top jamb (push side)



Parallel arm (push side)

Finishes

Powder coat finishes



689
Aluminum



695
Dark Bronze



696
Brass

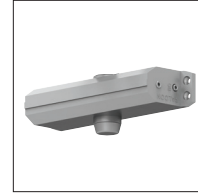
Metal plate finishes



622¹
Matte Black

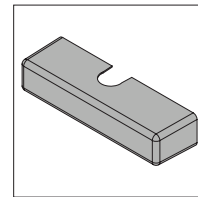
Covers

Standard cover



None

Optional cover



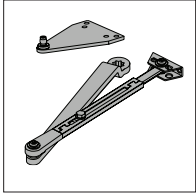
SC60A-72

Slim line plastic cover

- Non-handed
- Optional

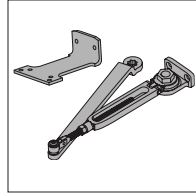
¹ Only available on standard cylinders and RW/PA, HW/PA, and DS arms

Arms



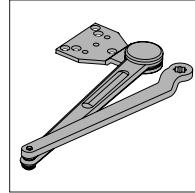
SC60A-3077PA
Regular arm

- Non-handed
- Adjustable forearm assembly for range of door and frame reveal conditions
- Mounts hinge side, top jamb or parallel arm
- PA shoe allows install in a parallel arm configuration



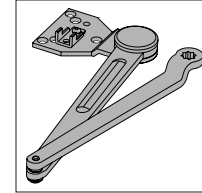
SC60A-3049PA
Hold-open arm

- Non-handed
- Hold open arm with adjustable forearm for range of door and frame reveal conditions
- Mounts hinge side, top jamb or parallel arm
- PA shoe allows install in a parallel arm configuration
- Optional



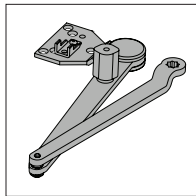
SC60A-3077HD
Heavy duty regular arm

- Non-handed
- Stamped, heavy duty, parallel arm for use in high-traffic applications
- Optional



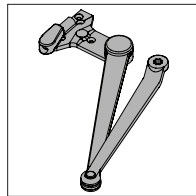
SC60A-3077DS
Dead stop arm

- Non-handed
- Stamped, heavy duty, parallel arm
- Includes a positive mechanical stop and non-adjustable forearm assembly for potentially abusive installations
- Optional



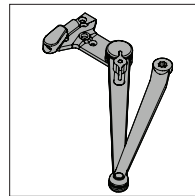
SC60A-3049DS
Dead stop hold-open arm

- Non-handed
- Stamped, heavy duty, hold-open parallel arm
- Includes a positive mechanical stop and non-adjustable forearm assembly for potentially abusive installations
- Includes a manually selective hold-open function
- Optional



SC60A-3077SS
Spring-n-stop arm

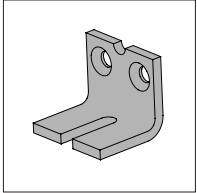
- Non-handed
- Extra heavy-duty, forged parallel arm
- Integral spring stop and non-adjustable forearm assembly for potentially abusive installation conditions
- Optional



SC60A-3049SS
Spring-n-stop hold-open arm

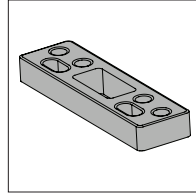
- Non-handed
- Extra heavy-duty, forged parallel arm
- Integral spring stop and non-adjustable forearm assembly for potentially abusive installation conditions
- Includes a manually selective hold-open function
- Optional

Installation accessories



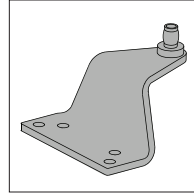
SC60A-30
Soffit shoe support

- Anchorage for fifth screw used with soffit shoe, where reveal is less than 3 1/16" (78mm)



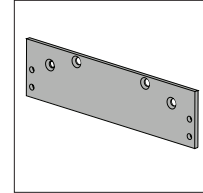
SC60A-61
Blade stop spacer

- Required to lower parallel arm shoe to clear 1/2" (13mm) blade stop



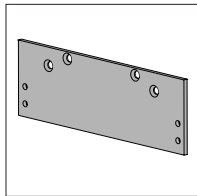
SC60A-62A
Auxiliary shoe

- Requires top rail of 7" (178mm)
- Optional
- PA shoe replacement for parallel arm mounting of regular arm with overhead holder/stop



SC60A-18
Plate

- Required for top jamb mounting where head frame is less than 1 3/4" (44mm)



SC60A-18PA
Plate

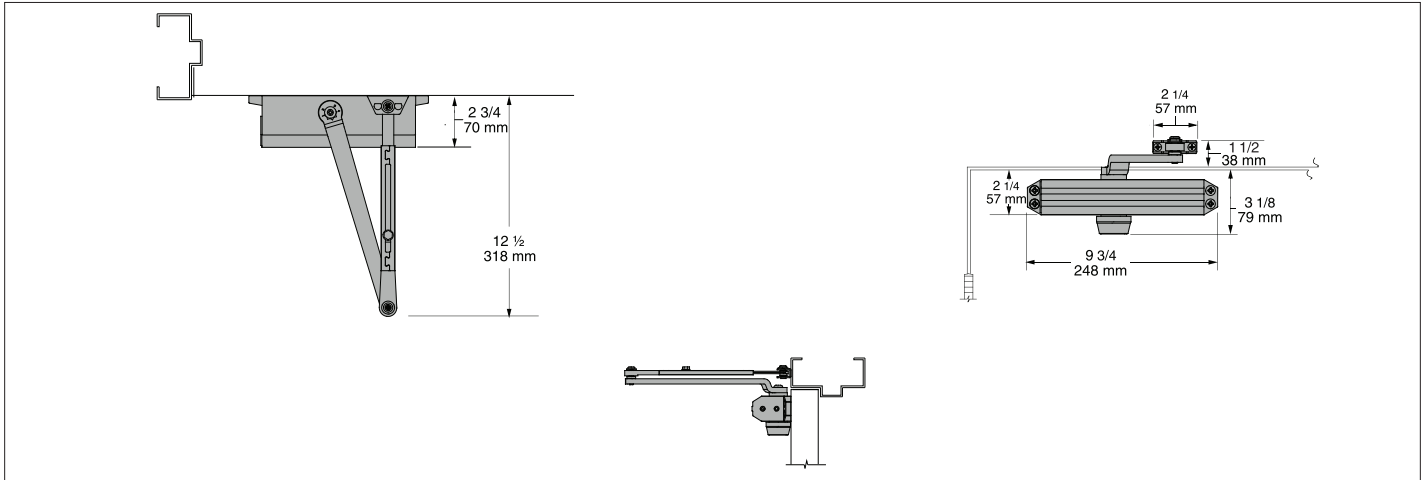
- Required for parallel arm mounting where top rail is less than 4 3/8" (111mm) for PA, 4 1/4" (108mm) for HD and DS, measured from the stop
- Requires 2 3/8" (60mm) minimum top rail, from stop

Fasteners

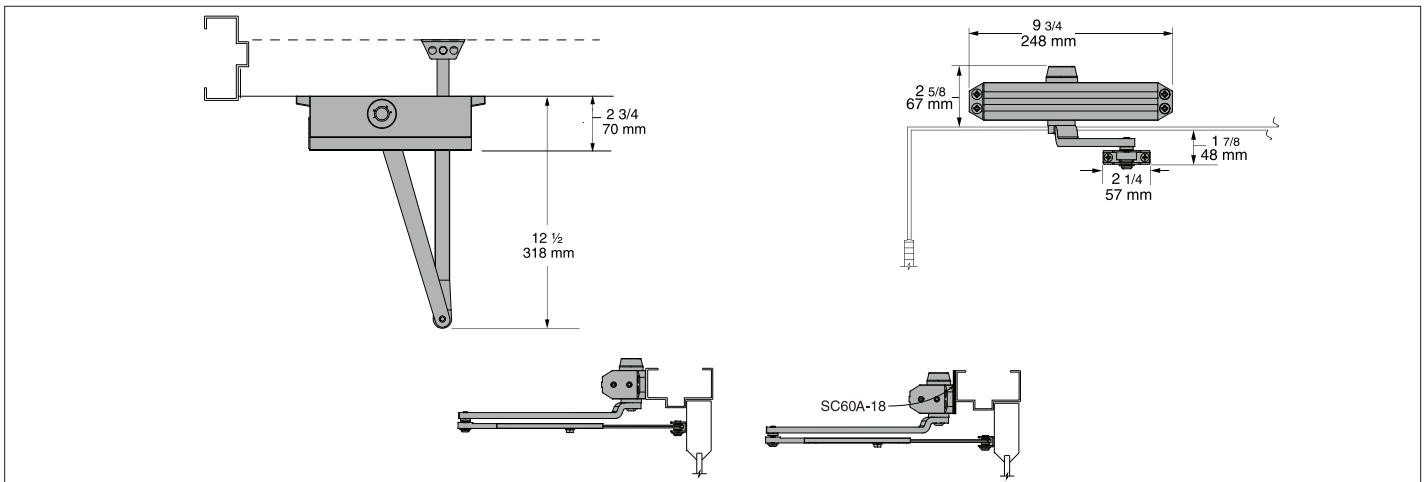
Comes standard with universal screw pack (UNIV), including self reaming and tapping screws

Dimensions and mounting

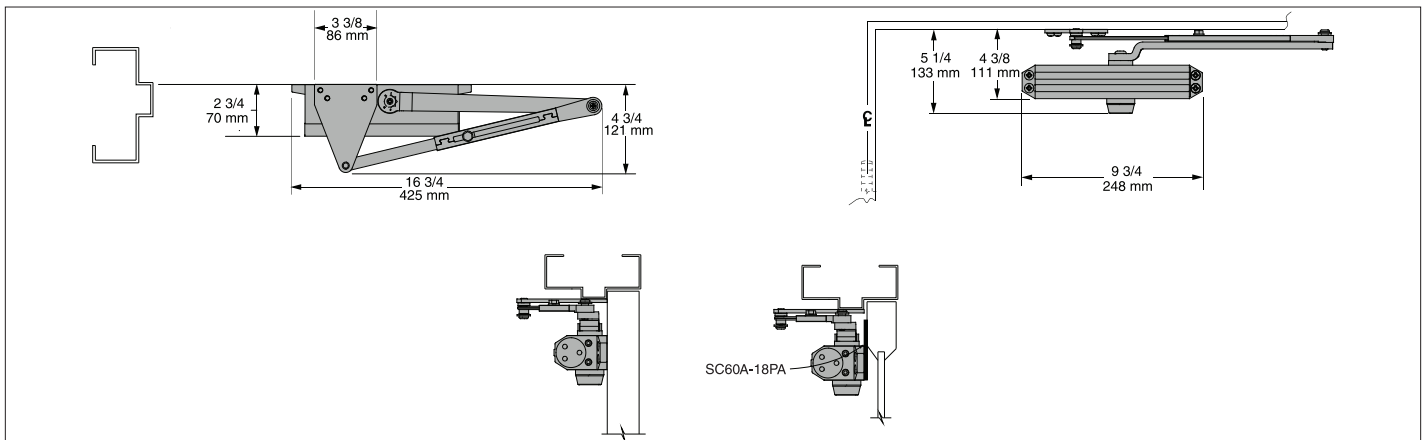
Hinge (pull side) mounting



Top jamb (push side) mounting

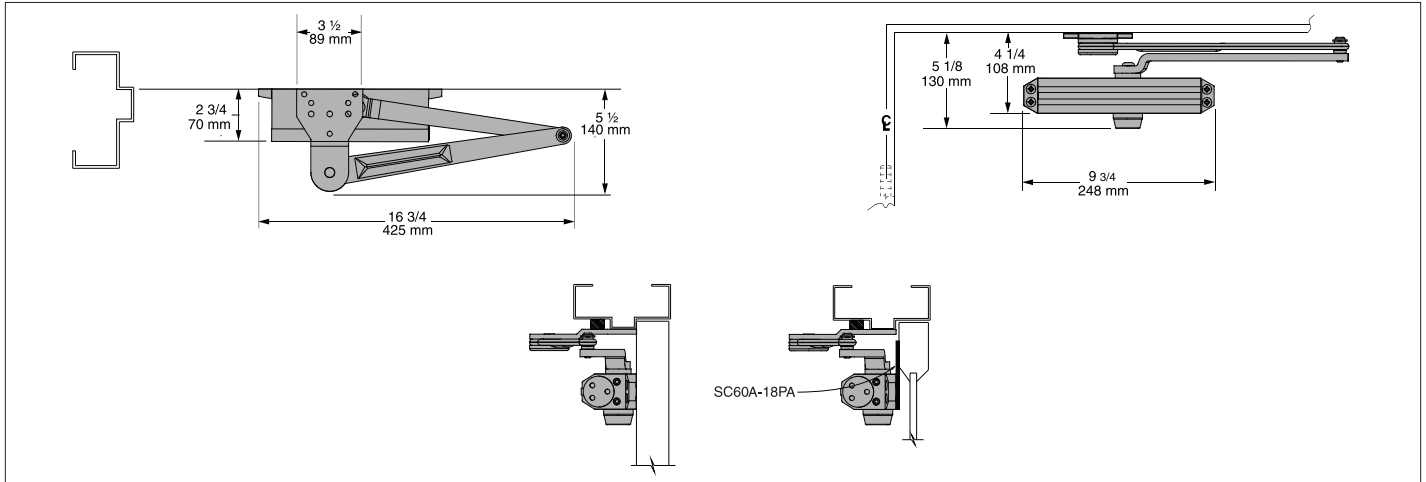


Parallel arm (push side) mounting

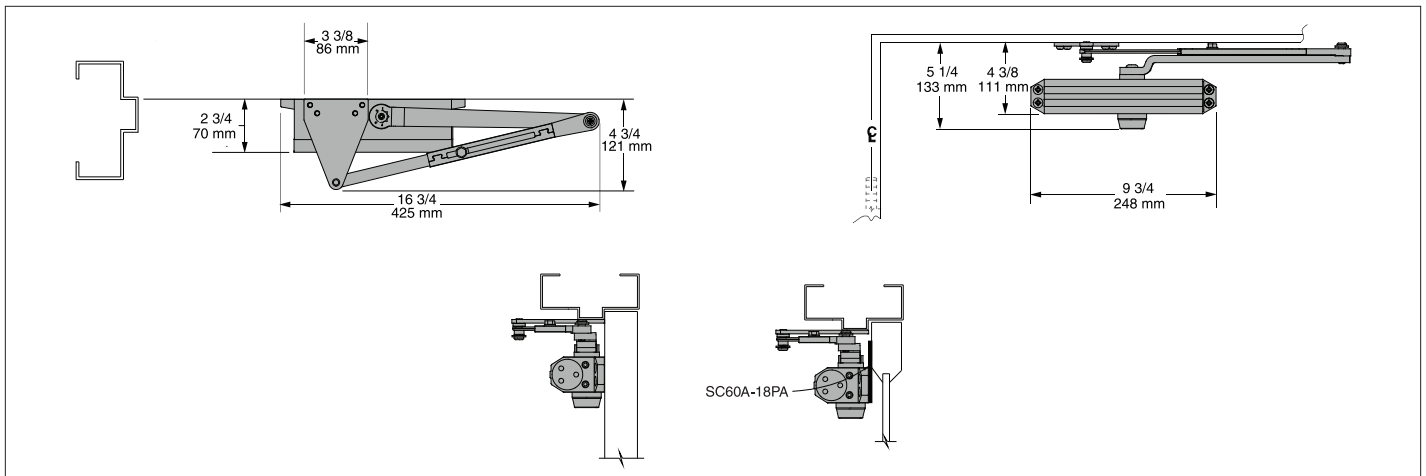


Dimensions and mounting

Heavy duty arm (parallel) mounting



Dead stop HO arm (parallel) mounting



Specifications

Accessibility	Available with less than 5.0 lbs. opening force on 36" door
Certifications/ approvals	<ul style="list-style-type: none">▪ Grade 1 ANSI/BHMA A156.4▪ UL10C and UBC 7-2 (1997)▪ Cover is UL approved for use in fire rated assemblies▪ Meets the American Disabilities Act (ADA)
Degree of operation	<p>Hinge (pull side) mount</p> <p>Max opening: 180°</p> <p>Hold open: Hold Open point is adjustable up to 180°</p> <p>Top jam (push side) mount</p> <p>Max opening: 180°</p> <p>Hold open: Adjustable up to 180°</p> <p>Parallel arm</p> <p>Max opening: 180°</p> <p>Hold open: Adjustable up to 180°</p> <p>Heavy duty arm</p> <p>Max opening: 180°</p> <p>Hold open: "Heavy Duty" hold open is not available</p> <p>Dead stop HO arm</p> <p>Max opening: 110°</p> <p>Hold open: 110° or 90° (based on installation template, not adjustable)</p>
Environmental conditions	<ul style="list-style-type: none">▪ Approved for interior use▪ Standard all weather fluid▪ Separate adjustable general speed, latch speed and backcheck
Warranty	10 years
Standard features	<ul style="list-style-type: none">▪ Single piece cast aluminum body▪ Heat-treated pinion and steel piston